

## H12-721<sup>Q&As</sup>

HCIP-Security-CISN V3.0

### Pass Huawei H12-721 Exam with 100% Guarantee

Free Download Real Questions & Answers **PDF** and **VCE** file from:

<https://www.leads4pass.com/h12-721.html>

100% Passing Guarantee  
100% Money Back Assurance

Following Questions and Answers are all new published by Huawei  
Official Exam Center

-  **Instant Download** After Purchase
-  **100% Money Back** Guarantee
-  **365 Days** Free Update
-  **800,000+** Satisfied Customers



## QUESTION 1

The USG limited flow policy configuration is as follows: [USG] car-class class1 type shared [USG-shared-car-class-class1] car 1000 [USG-shared-car-class-class1] quit [USG-traffic-policy-interzone-trust-untrust-outbound-shared [USG-traffic-policy-interzone-trust-untrust-outbound-shared-1] policy 1 [USG-traffic-policy-interzone-trust-untrust-outbound-shared-1] policy car-class class1 [USG-traffic-policy-interzone-trust-untrust-outbound-shared-1] policy source 192.168.1.0.0.0.255 [USG-traffic-policy-interzone-trust-untrust-outbound-shared-1] policy destination 192.168.2.0.0.0.255 [USG-traffic-policy-interzone-trust-untrust-outbound-shared-1] action car Based on this information, which

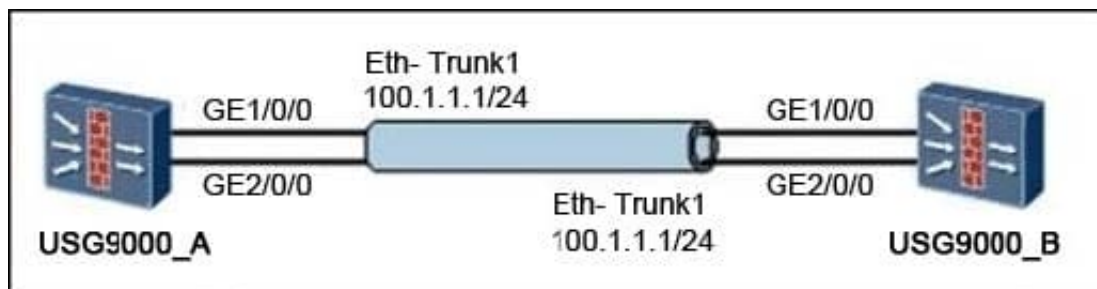
of the following statements is correct?

- A. Class1 limits the definition of the overall car-class, and limits to 1000bps
- B. Policy1 traffic will match without limiting the direct release
- C. The 192.168.1.0/24 hosts that access the data flow will be limited
- D. Matching Policy1 traffic will be flow controlled for each source IP

Correct Answer: C

## QUESTION 2

As shown in Figure Eth-Trunk functionality with binding, if the need is to implement each interface-by-packet load balancing feature, you need to run which of the following configuration commands?



- A. [USG] load-balance interface eth-trunk 1 packet-all
- B. [USG] interface eth-trunk 1 [USG-Eth-Trunk 1] load-balance packet-all
- C. [USG] load-balance interface eth-trunk 1 src-dst-ip
- D. [USG] interface eth-trunk 1 [USG-Eth-Trunk 1] load-balance src-dst-ip

Correct Answer: B

## QUESTION 3

Which statement is incorrect about IPsec NAT traversal?

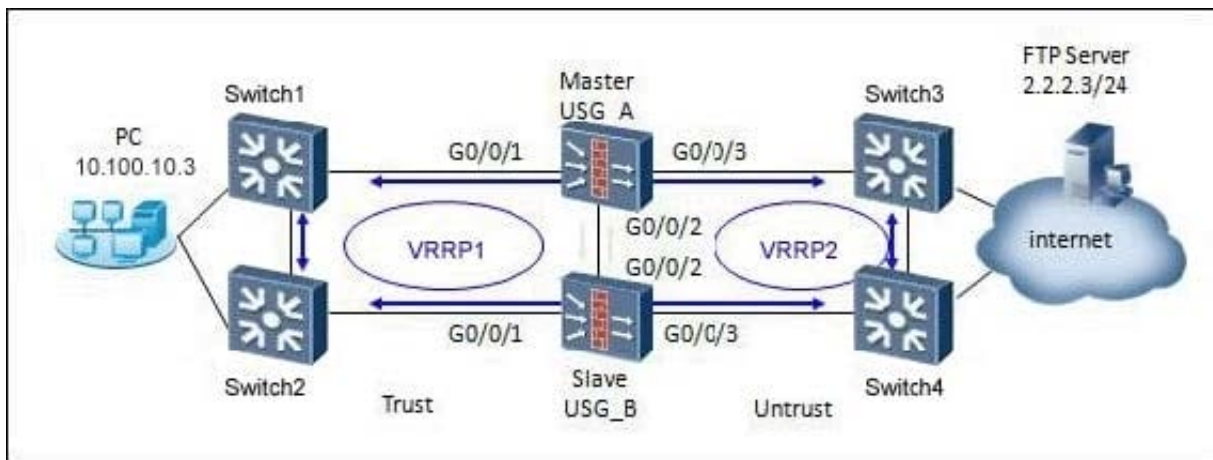
- A. AH and ESP supports NAT traversal

- B. IPsec NAT traversal is not supported IKE main mode (pre-shared mode)
- C. IPsec ESP packets using UDP through NAT packet encapsulation
- D. All IKE initiator communication messages exchanged use port 4500 port

Correct Answer: A

**QUESTION 4**

In the dual-system hot backup networking environment as shown in the standby firewall also need to configure NAT function, assuming that the external address of the VRRP backup group. NAT address pool and NAT Server in the same network segment. Which of the following configuration needs to be on the Server? (choose two answers)



- A. HRP\_M [USG\_A] nat address-group 1 2.2.2.5 2.2.2.6 vrrp 1
- B. HRP\_M [USG\_A] nat address-group 1 2.2.2.5 2.2.2.6 vrrp 2
- C. HRP\_M [USG\_A] nat server global 2.2.2.10 inside 10.100.10.3 vrrp 2
- D. HRP\_M [USG\_A] nat server global 2.2.2.10 inside 10.100.10.3 vrrp 1

Correct Answer: BC

**QUESTION 5**

In USG2200 series of products, GigabitEthernet 0/0/0 is the band management interface by default.

- A. TRUE
- B. FALSE

Correct Answer: B