



HP0-S35^{Q&As}

Implementing HP BladeSystem Solutions

Pass HP HP0-S35 Exam with 100% Guarantee

Free Download Real Questions & Answers **PDF** and **VCE** file from:

<https://www.lead4pass.com/HP0-S35.html>

100% Passing Guarantee
100% Money Back Assurance

Following Questions and Answers are all new published by HP Official Exam Center

-  **Instant Download** After Purchase
-  **100% Money Back** Guarantee
-  **365 Days** Free Update
-  **800,000+** Satisfied Customers





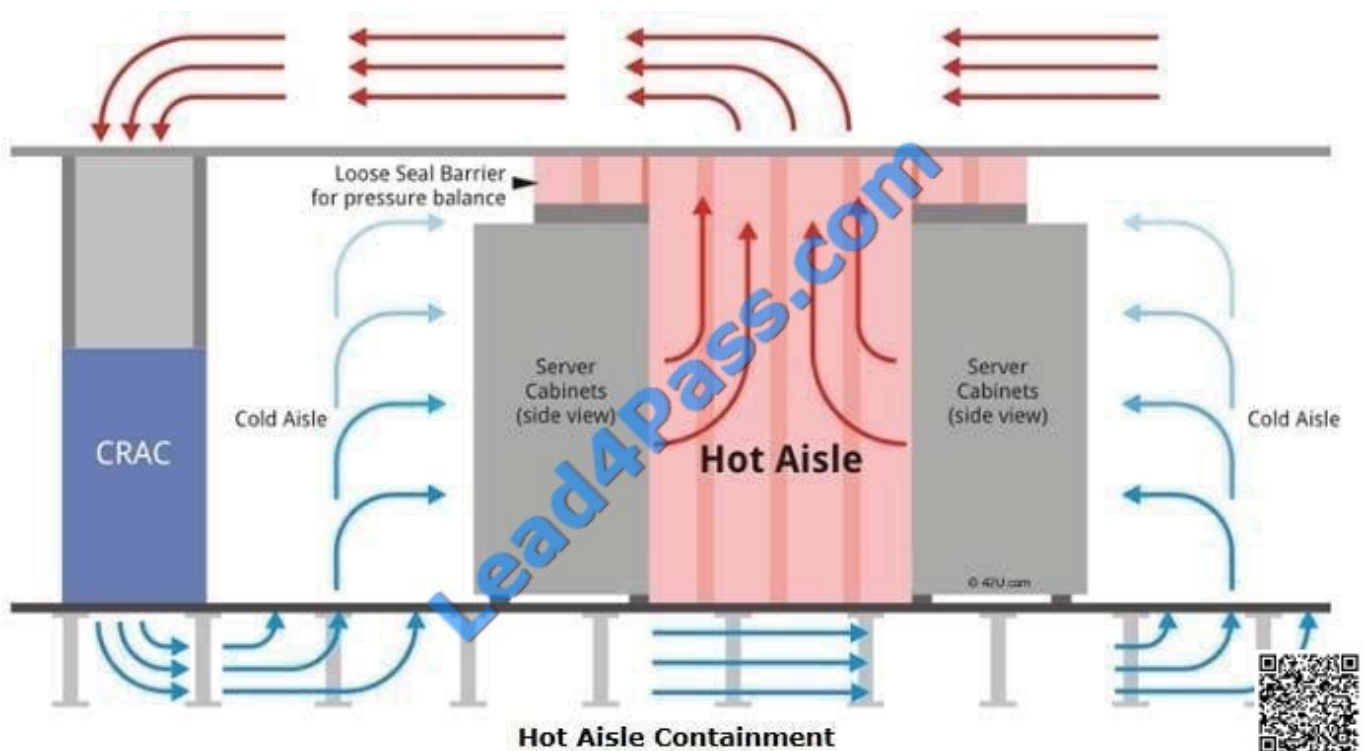
QUESTION 1

What is the definition of a Hot aisle?

- A. Servers facing Front to front
- B. Servers facing back to front
- C. Servers facing back to back
- D. Servers facing front to back

Correct Answer: C

<http://www.42u.com/cooling/hot-aisle-containment.htm>



QUESTION 2

What is the minimum care pack level to sell if a customer wants the cheapest out-of-business hours support?

- A. Basic
- B. Advanced
- C. Proactive
- D. Standard



Correct Answer: B

QUESTION 3

Which method should you use to upgrade the Intelligent Provisioning partition on a BL460c Gen8?

- A. ProLiant Support Pack
- B. Systems Insight Manager
- C. Service Pack for ProLiant
- D. Intelligent Provisioning Recovery ISO

Correct Answer: D

Reference: <http://hpproliant.blogspot.com/2012/06/reinstall-intelligent-provisioning-for.html> (see 6th paragraph)

QUESTION 4

What is something that HP agentless management can monitor and proactively notify prior to failure? (Choose Three)

- A. Fans
- B. Power supply
- C. Disks
- D. CPU

Correct Answer: ABD

<http://h30507.www3.hp.com/t5/Coffee-Coaching-HP-and-Microsoft/HP-ProLiant-Gen8-Agentless-Management-Overview/ba-p/108579>

The subsystems supported by iLO that are covered and "regardless of the operating system" are as follows:

CPU's Memory Temperature Sensors Fans Power Supplies

SmartArray controllers (including cache modules) and Both Logical and Physical Drives (internal to the server) that are connected to the SmartArray controller. iLO supports Inventory and Configuration, Health Status, SNMP Alerting, Pre-Failure Alerting, Redundancy Status and Alerting, and SNMP Data Collection.

QUESTION 5

Which HP solution offers automated deployment and configuration of servers using scripting or imaging technology?

- A. Factory Express
- B. Insight Manager



C. Insight Foundation

D. Insight Control

Correct Answer: D

[Latest HP0-S35 Dumps](#)

[HP0-S35 VCE Dumps](#)

[HP0-S35 Exam Questions](#)



To Read the [Whole Q&As](#), please purchase the [Complete Version](#) from [Our website](#).

Try our product !

100% Guaranteed Success
100% Money Back Guarantee
365 Days Free Update
Instant Download After Purchase
24x7 Customer Support
Average 99.9% Success Rate
More than 800,000 Satisfied Customers Worldwide
Multi-Platform capabilities - [Windows](#), [Mac](#), [Android](#), [iPhone](#), [iPod](#), [iPad](#), [Kindle](#)

We provide exam PDF and VCE of Cisco, Microsoft, IBM, CompTIA, Oracle and other IT Certifications. You can view Vendor list of All Certification Exams offered:

<https://www.lead4pass.com/allproducts>

Need Help

Please provide as much detail as possible so we can best assist you.
To update a previously submitted ticket:



 <p>One Year Free Update Free update is available within One Year after your purchase. After One Year, you will get 50% discounts for updating. And we are proud to boast a 24/7 efficient Customer Support system via Email.</p>	 <p>Money Back Guarantee To ensure that you are spending on quality products, we provide 100% money back guarantee for 30 days from the date of purchase.</p>	 <p>Security & Privacy We respect customer privacy. We use McAfee's security service to provide you with utmost security for your personal information & peace of mind.</p>
---	---	--

Any charges made through this site will appear as Global Simulators Limited.
All trademarks are the property of their respective owners.
Copyright © lead4pass, All Rights Reserved.