

## HP2-Z34<sup>Q&As</sup>

Building HP FlexFabric Data Centers

**Pass HP HP2-Z34 Exam with 100% Guarantee**

Free Download Real Questions & Answers **PDF** and **VCE** file from:

<https://www.leads4pass.com/hp2-z34.html>

100% Passing Guarantee  
100% Money Back Assurance

Following Questions and Answers are all new published by HP Official Exam Center

-  **Instant Download** After Purchase
-  **100% Money Back** Guarantee
-  **365 Days** Free Update
-  **800,000+** Satisfied Customers



**QUESTION 1**

A company merger created a situation in which some network segments are using overlapping IP addresses. Administrators want to keep the overlapping addresses and isolate the segments. A core router connects to devices in both segments and routes some traffic for both.

What allows this router to route the traffic without conflict?

- A. VPLS
- B. Provider Backbone Bridging (PBB)
- C. Multi-VPN-Instance CE (MCE)
- D. EVI

Correct Answer: C

---

**QUESTION 2**

A customer is deciding whether to purchase a switch in the HP 5900AF Series or the HP 5900CP series. Which need requires the customer to choose the HP 5900CP switch instead of the 5900AF switch?

- A. enhanced visibility for VM-to-VM traffic and Ethernet Virtual Bridge (EVB) solutions
- B. OpenFlow support and compatibility with HP software-defined networking (SDN) solutions
- C. LAN/SAN convergence support and native FC port connections
- D. support of 10GbE to the server edge and 40GbE uplinks

Correct Answer: D

---

**QUESTION 3**

An administrator binds VLAN interface 10 to VPN instance "TenantA" on an HP Comware switch by using this configuration: interfaceVlan-interface 10 ip address 10.1.10.1 255.255.255.0 How does the administrator's action affect the interface IP address?

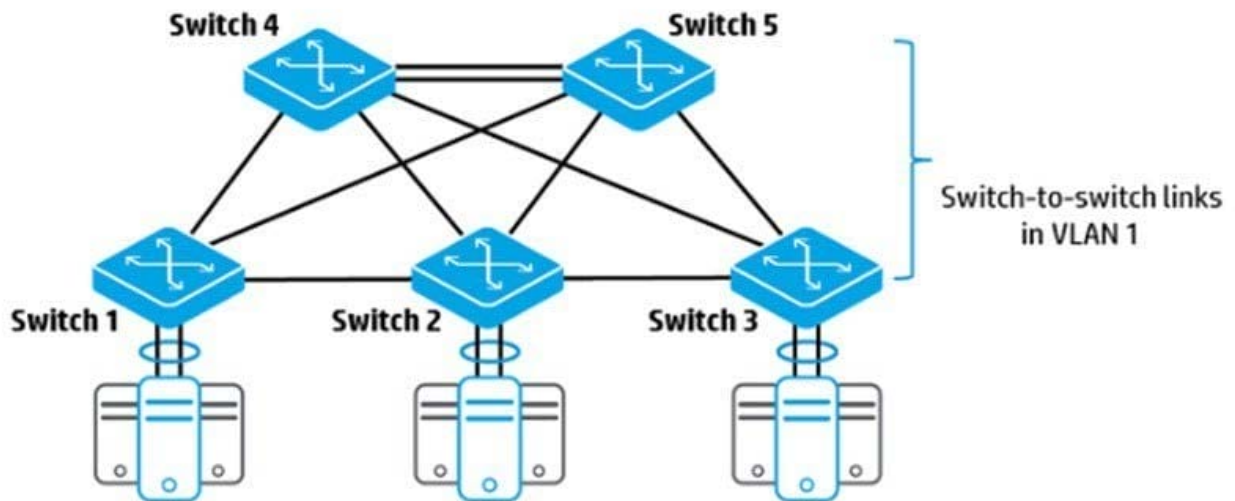
- A. The interface loses the IP address, and the administrator must configure the IP address on this interface again.
- B. The IP address remains 10.1.10.1/24 but is extended with the Route Distinguisher (RD) and can now be assigned to an interface in another VPN instance.
- C. The interface loses the IP address and the administrator must map the interface to 10.1 10.1/24 from the VPN instance context
- D. The IP address remains 10.1 10.1/24. but now this subnet can also be assigned to an interface in another VPN instance.

Correct Answer: D

---

**QUESTION 4**

Refer to the exhibit



An administrator wants these switches to establish a TRILL region. TRILL is enabled globally and nicknames are set. What must the administrator do so that each TRILL switch (RBridge) finds the best path to all other TRILL switches?

- A. Configure IS-IS on VLAN 1 on all the switches.
- B. Enable TRILL with the correct link-type on each switch-to-switch port
- C. Configure DRB priorities on all switch-to-switch links.
- D. Create a Virtual Service Instance (VSI) on each switch and define the other switches as TRILL peers.

Correct Answer: B

**QUESTION 5**

A company is adding a second data center for disaster recovery. The data centers connect over a link supplied by a service provider with an IP network. The company wants a solution that extends Layer 2 connectivity between the data centers and does not require any special services from the service provider, such as MPLS.

What can meet the needs for this design?

- A. QEVI
- B. IRF
- C. VPLS
- D. SPBM

Correct Answer: B

[HP2-Z34 VCE Dumps](#)

[HP2-Z34 Practice Test](#)

[HP2-Z34 Braindumps](#)