

HP2-Z34^{Q&As}

Building HP FlexFabric Data Centers

Pass HP HP2-Z34 Exam with 100% Guarantee

Free Download Real Questions & Answers **PDF** and **VCE** file from:

<https://www.leads4pass.com/hp2-z34.html>

100% Passing Guarantee
100% Money Back Assurance

Following Questions and Answers are all new published by HP Official Exam Center

-  **Instant Download** After Purchase
-  **100% Money Back** Guarantee
-  **365 Days** Free Update
-  **800,000+** Satisfied Customers



QUESTION 1

Refer to the exhibits Exhibit 1 This data center topology is being set up to use SPBM. VMs in the same subnet should be able to communicate at Layer 2 and be isolated at Layer 2 from other subnets. VS110010 was created for VLAN 10 as shown in Exhibit 2. The administrator is configuring a service instance for the VLAN 10 traffic on Switch 1 interface Ten1/0/1.

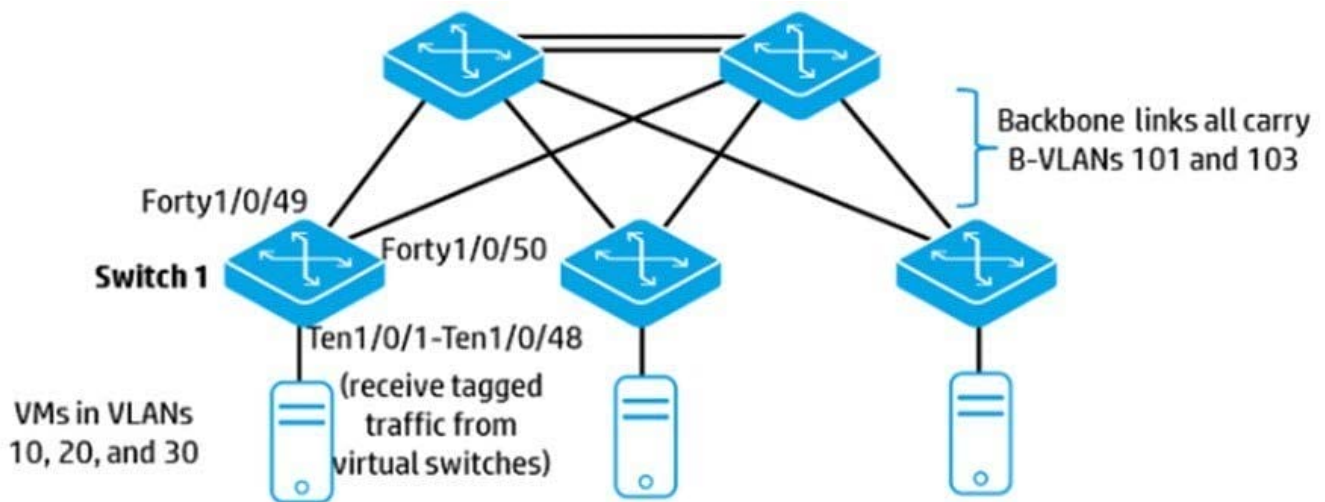


Exhibit 2

```
vsi 10010
spb i-sid 10010
b-vlan 101
```

What is the correct encapsulation mode?

- A. s-vid101
- B. ta99ed
- C. default
- D. s-vid10

Correct Answer: D

QUESTION 2

How does a non-hierarchical VPLS Martini solution prevent looping for broadcasts and multicasts?

- A. PEs use a hub and spoke topology, relying on the hub to distribute broadcasts and multicasts.
- B. PEs use split horizon operations, never forwarding a packet received on a pseudo wire (PW) over another PW.

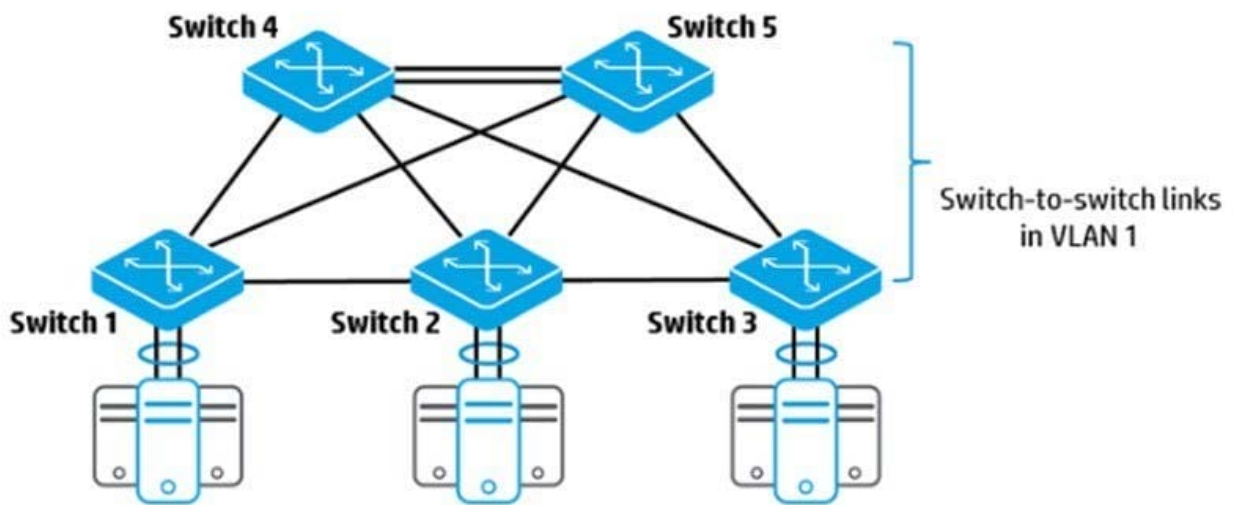
C. PEs implement Shortest Path Bridging (SPB) VLAN Mode (SPBV).

D. PEs implement a version of Spanning Tree Protocol (STP), preferably Multiple STP (MSTP).

Correct Answer: B

QUESTION 3

Refer to the exhibit



An administrator wants these switches to establish a TRILL region. TRILL is enabled globally and nicknames are set. What must the administrator do so that each TRILL switch (RBridge) finds the best path to all other TRILL switches?

- A. Configure IS-IS on VLAN 1 on all the switches.
- B. Enable TRILL with the correct link-type on each switch-to-switch port
- C. Configure DRB priorities on all switch-to-switch links.
- D. Create a Virtual Service Instance (VSI) on each switch and define the other switches as TRILL peers.

Correct Answer: B

QUESTION 4

When is it recommended to block VRRP hellos between routers in the same VRRP instance?

- A. when the VRRP master and VRRP backup router are part of the same IRF virtual device
- B. when providing two VRRP master routers to be deployed in different data centers
- C. when the VRRP master and VRRP backup router are part of a TRILL domain
- D. when the VRRP master and VRRP backup router are top of the rack (ToR) switches

Correct Answer: A

QUESTION 5

What is the purpose of the nickname in TRILL switch settings?

- A. The nickname identifies the TRILL region and must match on every TRILL RBridge in the region.
- B. Administrators can use the nicknames to identify switches in CLI output.
- C. The nickname is the first factor for electing a root bridge
- D. TRILL RBridges use the nicknames as source and destination addresses in TRILL headers

Correct Answer: D

[Latest HP2-Z34 Dumps](#)

[HP2-Z34 Study Guide](#)

[HP2-Z34 Braindumps](#)