



# 210-065<sup>Q&As</sup>

Implementing Cisco Video Network Devices

## Pass Cisco 210-065 Exam with 100% Guarantee

Free Download Real Questions & Answers **PDF** and **VCE** file from:

<https://www.lead4pass.com/210-065.html>

100% Passing Guarantee  
100% Money Back Assurance

Following Questions and Answers are all new published by Cisco  
Official Exam Center

-  **Instant Download** After Purchase
-  **100% Money Back** Guarantee
-  **365 Days** Free Update
-  **800,000+** Satisfied Customers





### QUESTION 1

An engineer needs to connect an external display to a Cisco TelePresence MX700 endpoint. What must the engineer do to access the external monitor output connector?

- A. Remove the cover under the main monitor. The cover is fastened with two screws.
- B. Remove the cover on the back of the system. The cover is fastened with magnets.
- C. Remove the cover on the right side of the system. The cover is fastened with four screws.
- D. Remove the cover on the left side of the system. The cover is fastened with magnets.

Correct Answer: D



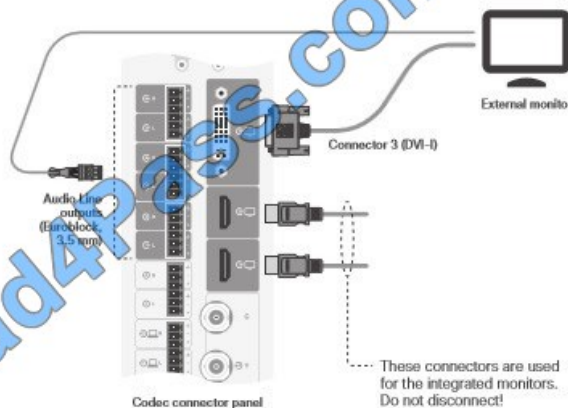
### Connecting an external monitor to MX700

An external monitor can be used to display content or presentations (presented locally or received from far-end).

The codec and monitor must be connected and set up as described below.

For a full description of each settings, refer to the [System settings](#) chapter.

**⚠** You must remove the video system's left side cover to get access to the codec connector panel. The cover is fastened with magnets.



#### 1. Connect an external monitor

- i. Switch off the system.  
The power button is located directly below the codec connector panel.
- ii. Connect the monitor as shown in the illustration.  
Use *Connector 3 (DVI-I)* for video and an *Audio Line* output for audio.
- iii. Switch on the system, and wait while the system starts up.

#### 2. Define how to use the external monitor

Use the *Video > Monitors* setting to define what to display on the external monitor.  
Choose *TriplePresentationOnly* to allow presentations on the external monitor.  
If the setting is kept at *Dual* (default), all participants and content will be distributed on the two integrated monitors, and nothing will be shown on the external monitor.  
Do NOT use *TriplePresentationOnly* if no external monitor is connected. Presentations will fail to display.

#### 3. Set the monitor resolution and refresh rate

The codec will read the native resolution of a monitor and output this if possible. Typically, this will give the best possible picture for the connected monitor.  
If auto-detection of resolution and refresh rate fails, you have to set resolution manually using the *Video > Output > Connector 3 > Resolution* setting.

Reference: <http://www.cisco.com/c/dam/en/us/td/docs/telepresence/endpoint/mx-series/tc7/administration-guide/mx700-mx800-administrator-guide-tc72.pdf>

### QUESTION 2



Cisco TelePresence Video Communication Servers can be clustered to provide resiliency in the enterprise. What is the maximum number of cluster members?

- A. 2
- B. 3
- C. 6
- D. 7
- E. 15

Correct Answer: C

---

### QUESTION 3

An engineer needs to design a solution that can record a Cisco TelePresence meeting between three offices, all of which use Cisco TelePresence SX10 codecs. Which two technologies are required to support this functionality? (Choose two.)

- A. Cisco TelePresence MCU
- B. Cisco TelePresence Content Server
- C. Cisco VCS Conference Factory
- D. a multisite license on the Cisco TelePresence SX10
- E. Cisco TelePresence Conductor
- F. Cisco TelePresence Video Communication Server

Correct Answer: BD

---

### QUESTION 4

An end user reports that the video they are receiving from a CTS-500 is showing a heavy blue tint. The room sending the video uses indoor artificial lighting. Which procedure must be performed to resolve the issue?

- A. camera focus balance calibration
- B. camera brightness mode: indoor
- C. camera auto adjustment
- D. camera auto adjust room environment
- E. camera temperature map adjustment

Correct Answer: C

Reference: [http://www.cisco.com/c/en/us/td/docs/telepresence/cts\\_admin/1\\_7/admin/guide/cts\\_admin/ctsadmin\\_trbl\\_50](http://www.cisco.com/c/en/us/td/docs/telepresence/cts_admin/1_7/admin/guide/cts_admin/ctsadmin_trbl_50)



0.html#wp1053622 (Refer to section "Auto Adjusting the Camera")

---

### QUESTION 5

Threat monitoring in physical access security can be based upon which three of these? (Choose three.)

- A. doors
- B. badges
- C. age
- D. weather
- E. height
- F. fingerprints

Correct Answer: ABF

The physical access security is based on three things:

1.  
Doors
2.  
Badges
3.  
Fingerprints

It is because these are the three things which can be unique to a user and they do not change. Every other option listed here varies and cannot be measured appropriately.

[Latest 210-065 Dumps](#)

[210-065 Study Guide](#)

[210-065 Braindumps](#)



To Read the [Whole Q&As](#), please purchase the [Complete Version](#) from [Our website](#).

## Try our product !

100% Guaranteed Success  
100% Money Back Guarantee  
365 Days Free Update  
Instant Download After Purchase  
24x7 Customer Support  
Average 99.9% Success Rate  
More than 800,000 Satisfied Customers Worldwide  
Multi-Platform capabilities - [Windows](#), [Mac](#), [Android](#), [iPhone](#), [iPod](#), [iPad](#), [Kindle](#)

We provide exam PDF and VCE of Cisco, Microsoft, IBM, CompTIA, Oracle and other IT Certifications. You can view Vendor list of All Certification Exams offered:

<https://www.lead4pass.com/allproducts>

## Need Help

Please provide as much detail as possible so we can best assist you.  
To update a previously submitted ticket:



 <p><b>One Year Free Update</b> Free update is available within One Year after your purchase. After One Year, you will get 50% discounts for updating. And we are proud to boast a 24/7 efficient Customer Support system via Email.</p>	 <p><b>Money Back Guarantee</b> To ensure that you are spending on quality products, we provide 100% money back guarantee for 30 days from the date of purchase.</p>	 <p><b>Security &amp; Privacy</b> We respect customer privacy. We use McAfee's security service to provide you with utmost security for your personal information &amp; peace of mind.</p>
---------------------------------------------------------------------------------------------------------------------------------------------------------------------------------------------------------------------------------------------------------------------------------------------------------------------------------	-------------------------------------------------------------------------------------------------------------------------------------------------------------------------------------------------------------------------------------------------------------	------------------------------------------------------------------------------------------------------------------------------------------------------------------------------------------------------------------------------------------------------------------------------------

Any charges made through this site will appear as Global Simulators Limited.  
All trademarks are the property of their respective owners.  
Copyright © lead4pass, All Rights Reserved.