

## H31-161<sup>Q&As</sup>

HCIE-Carrier IP (Written) V2.0

### Pass Huawei H31-161 Exam with 100% Guarantee

Free Download Real Questions & Answers **PDF** and **VCE** file from:

<https://www.leads4pass.com/h31-161.html>

100% Passing Guarantee  
100% Money Back Assurance

Following Questions and Answers are all new published by Huawei  
Official Exam Center

-  **Instant Download** After Purchase
-  **100% Money Back** Guarantee
-  **365 Days** Free Update
-  **800,000+** Satisfied Customers



### QUESTION 1

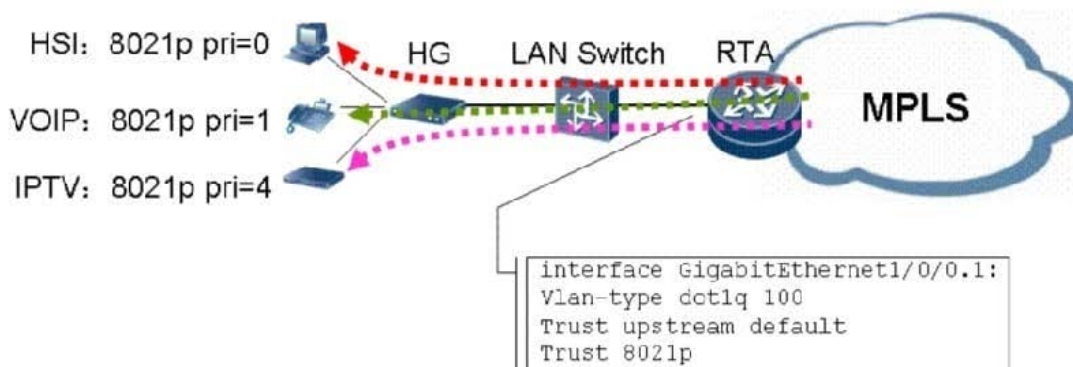
The secure sockets layer (SSL) protocol mainly provides confidentiality and reliability between communication applications. It is found at the transport layer and the application layer, and provides encrypted data transmission. Which of the following protocols are required for encrypted data transmission?

- A. Handshake protocol
- B. Tunnel protocol
- C. Record protocol
- D. Alarm protocol

Correct Answer: ACD

### QUESTION 2

RTA is an edge router of the MPLS backbone network. It provides the access service for users under Layer 2 switches and differentiates users by subinterface. User A accesses VLAN 100 and has subscribed to the HSI, VoIP, and IPTV services. According to 802.1p priorities, the value 0 indicates the HSI service, 1 indicates the VoIP service, and 4 indicates the IPTV service. The DiffServ model is deployed in E-LSP mode on the MPLS network, and the STC is configured for subinterfaces on the access side of RTA (the qos phb disable command is not configured). Outgoing traffic on the G1/0/0.1 subinterface involves the HSI, VoIP, and IPTV services on the access side of RTA. Which statement about EXP values corresponding to these three services is true?



- A. Only one EXP value may be contained, and the value is uncertain.
- B. Only two EXP values may be contained, and the values are uncertain.
- C. At least three EXP values may be contained, and the values are uncertain.
- D. The EXP values must be 0, 1, and 4.

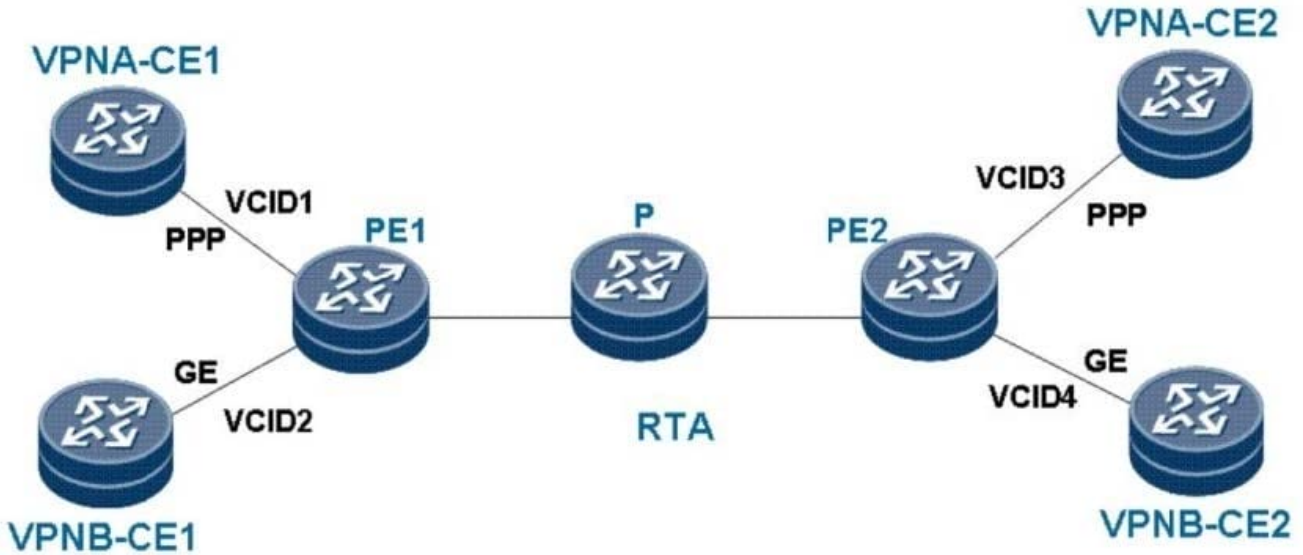
Correct Answer: C

### QUESTION 3

As shown in the figure, one enterprise has VPN A, the other has VPN B, and the two VPNs each have two CEs. The following requirements need to be met. VPN A-CE 1 can interwork with VPN A-CE 2. VPN B-CE 1 can interwork with VPN B-CE 2.

The figure shows the types of links between CEs and PEs and the VC IDs used in Martini mode.

Which of the following VC ID configurations are correct?



- A. VCID1 = 2, VCID2 = 2, VCID3 = 2, VCID4 = 2
- B. VCID1 = 1, VCID2 = 2, VCID3 = 3, VCID4 = 4
- C. VCID1 = 1, VCID2 = 2, VCID3 = 1, VCID4 = 2
- D. VCID1 = 1, VCID2 = 1, VCID3 = 2, VCID4 = 2

Correct Answer: AC

**QUESTION 4**

On a BGP/MPLS VPN, a PE and a CE communicate with each other over OSPF. Which command cannot be configured on the PE?

- A. route-tag 3
- B. domain-id 3
- C. vpn-instance-capability simple
- D. sham-hello

Correct Answer: C

**QUESTION 5**

Which statement about the tunnel policy configuration is false?(A)

- A. The tunnel policy is configured in the system view. You can run the tunnel-policy policy-name command to create tunnel policies and enter the tunnel policy view. One VPN instance supports multiple tunnel policies, and multiple VPN instances can share a tunnel policy.
- B. You can run tunnel select-seq { gre | lsp | cr-lsp } \* load-balance-number load-balance-number in the tunnel policy view to configure the priorities of tunnels and the number of tunnels among which load is balanced.
- C. You can run the tnl-policy policy-name command in the VPN instance view to apply tunnel policies to VPN instances. If the required tunnel policy does not exist, the configuration is saved but does not take effect. If you create this tunnel policy in the system view later, the saved configuration will take effect.
- D. If a VPN instance does not have a tunnel policy, an LSP is used and the number of tunnels configured for load balancing is set to 1

Correct Answer: A

[H31-161 Practice Test](#)

[H31-161 Study Guide](#)

[H31-161 Exam Questions](#)