

# HP0-Y47<sup>Q&As</sup>

Deploying HP FlexNetwork Core Technologies

## Pass HP HP0-Y47 Exam with 100% Guarantee

Free Download Real Questions & Answers **PDF** and **VCE** file from:

<https://www.leads4pass.com/hp0-y47.html>

100% Passing Guarantee  
100% Money Back Assurance

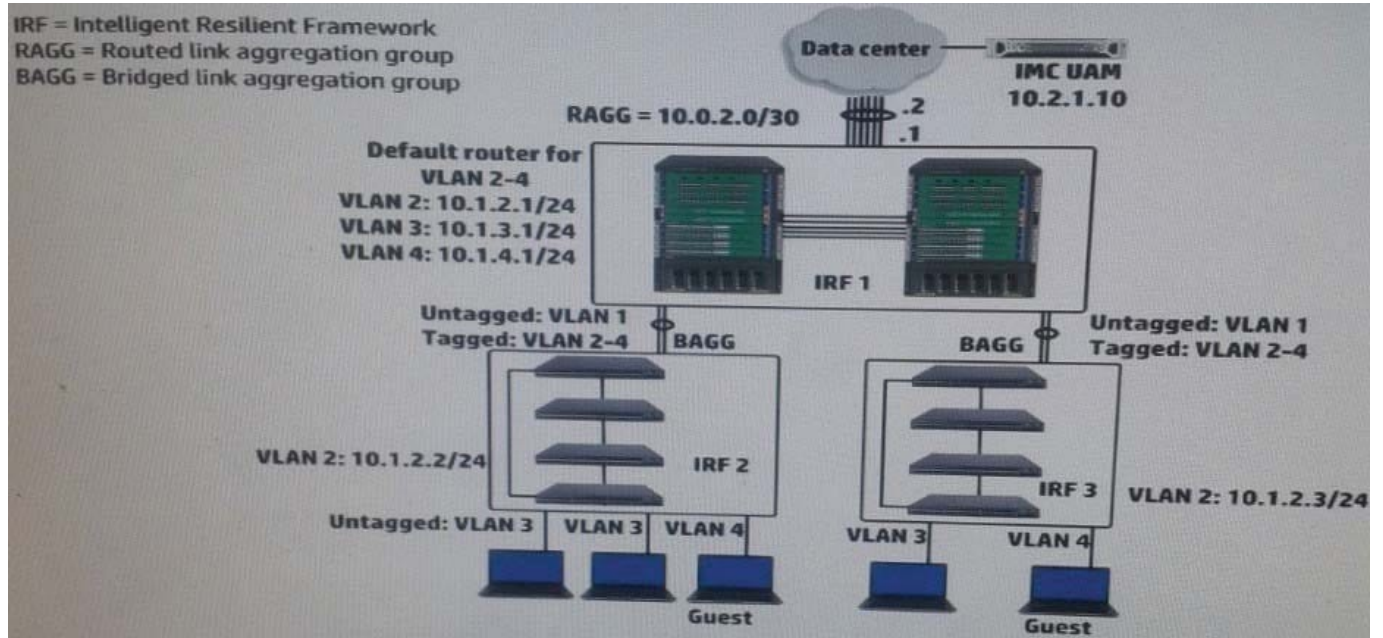
Following Questions and Answers are all new published by HP Official Exam Center

-  **Instant Download** After Purchase
-  **100% Money Back** Guarantee
-  **365 Days** Free Update
-  **800,000+** Satisfied Customers



**QUESTION 1**

Refer to the exhibit.



A company has a functional multicast routing solution, which routes multicasts from the data center users in VLAN3 and VLAN4. Users in VLAN 3 and VLAN 4 sometimes register for some of the same multicast. The network administrator wants to prevent duplicate multicasts on the link between the core IRF virtual switch and the access layer IRF virtual switches.

What should the administrator do to accomplish this goal?

- A. Enable IGMP snooping on VLAN 3 and VLAN4 (Layer 2) on the core switch and on the access layer switches.
- B. Create Layer 3 interfaces for VLAN 3 and VLAN 4 on the access layer switches, and enable IGMP on the interfaces.
- C. Enable Multicast VLAN and IGMP snooping on VLAN 3 on the access layer switches, and associate VLAN 4 as a sub-VLAN.
- D. Create Layer 3 interfaces for VLAN 3 and VLAN 4 on the access layer switches, and enable PIM on the interfaces.

Correct Answer: A

**QUESTION 2**

Refer to the exhibit.

```
Provision-Switch# show access-list vlan 4
Access Lists for VLAN 4
  IPV6 Inbound          : (None)
  IPV4 Inbound          : MyACL   Type: Extended
  IPV6 Outbound         : (None)
  IPV4 Outbound         : (None)
  IPV6 VLAN             : (None)
  IPV4 VLAN             : (None)
  IPV4 Connection Rate Filter : (None)

Provision-Switch# show access-list MyACL
Access Control Lists
  Name: MyACL
  Type: Extended
  Applied: Yes
```

SEQ	Entry
10	Action: permit Src IP: 10.1.4.0 Mask: 0.0.0.255 Dst IP: 10.2.1.10 Mask: 0.0.0.0 Port(s): Proto : UDP Port(s): eq 53 TOS : - Precedence: -
20	Action: permit Src IP: 10.1.4.0 Mask: 0.0.0.255 Dst IP: 10.2.1.22 Mask: 0.0.0.0 Port(s): Proto : TCP Port(s): eq 8080 TOS : - Precedence: -
30	Action: deny Src IP: 10.1.4.0 Mask: 0.0.0.255 Dst IP: 10.2.0.0 Mask: 0.0.255.255 Port(s): Proto : IP Port(s): TOS : - Precedence: -
40	Action: permit Src IP: 10.1.4.0 Mask: 0.0.0.255 Dst IP: 10.1.3.0 Mask: 0.0.0.255 Port(s): Proto : IP Port(s): TOS : - Precedence: -

The switch with the ACL shown in the exhibit has IP address 10.1.4/24 on VLAN 4. It is the default router for 10.1.0/24. A client in VLAN 4 broadcast a DHCP discovery request, and the request arrives on this switch. What happens?

- A. The ACL processes the packet, and the packet is permitted and then switched.
- B. The switch routes the packet out of VLAN 4 to the VLAN with the DHCP server.
- C. The ACL processes the packet, and the packet is dropped.
- D. The switch floods the broadcast in VLAN 4.

Correct Answer: D

**QUESTION 3**

Match the HP network infrastructure product to its HP FlexNetwork component.

Hot Area:

## MultiService Router (MSR) Series

	▼
HP FlexCampus	
HP FlexBranch	
HP FlexFabric	

## HP 5900v Switch Series

	▼
HP FlexCampus	
HP FlexBranch	
HP FlexFabric	

## HP 10500 Switch Series

	▼
HP FlexCampus	
HP FlexBranch	
HP FlexFabric	

Hot Area:

## MultiService Router (MSR) Series

	▼
HP FlexCampus	
HP FlexBranch	
HP FlexFabric	

## HP 5900v Switch Series

	▼
HP FlexCampus	
HP FlexBranch	
HP FlexFabric	

## HP 10500 Switch Series

	▼
HP FlexCampus	
HP FlexBranch	
HP FlexFabric	

Correct Answer:

### MultiService Router (MSR) Series

	▼
HP FlexCampus	
HP FlexBranch	
HP FlexFabric	

### HP 5900v Switch Series

	▼
HP FlexCampus	
HP FlexBranch	
HP FlexFabric	

### HP 10500 Switch Series

	▼
HP FlexCampus	
HP FlexBranch	
HP FlexFabric	

1 MSR HP FlexBranch or (and) FlexCampus

<http://h17007.www1.hp.com/us/en/networking/products/routers/portfolio.aspx#branch>

<http://h17007.www1.hp.com/us/en/networking/products/routers/portfolio.aspx#campus>

<http://h17007.www1.hp.com/us/en/networking/products/routers/portfolio.aspx#datacenter> HP5900V

#### QUESTION 4

Match the characteristic to the routing protocol.

Hot Area:

**Is an Exterior Gateway Protocol (EGP)**

	▼
<b>Border Gateway Protocol (BGP)</b>	
<b>Open shortest Path First (OSPF)</b>	

**Is an Interior Gateway Protocol (IGP)**

	▼
<b>Border Gateway Protocol (BGP)</b>	
<b>Open shortest Path First (OSPF)</b>	

**Sends routing updates and hellos over a TCP session**

	▼
<b>Border Gateway Protocol (BGP)</b>	
<b>Open shortest Path First (OSPF)</b>	

**Automatically discovers neighbors**

	▼
<b>Border Gateway Protocol (BGP)</b>	
<b>Open shortest Path First (OSPF)</b>	

Hot Area:

**Is an Exterior Gateway Protocol (EGP)**

	▼
<b>Border Gateway Protocol (BGP)</b>	
<b>Open shortest Path First (OSPF)</b>	

**Is an Interior Gateway Protocol (IGP)**

	▼
<b>Border Gateway Protocol (BGP)</b>	
<b>Open shortest Path First (OSPF)</b>	

**Sends routing updates and hellos over a TCP session**

	▼
<b>Border Gateway Protocol (BGP)</b>	
<b>Open shortest Path First (OSPF)</b>	

**Automatically discovers neighbors**

	▼
<b>Border Gateway Protocol (BGP)</b>	
<b>Open shortest Path First (OSPF)</b>	

Correct Answer:

Is an Exterior Gateway Protocol (EGP)

  
 Border Gateway Protocol (BGP)  
 Open shortest Path First (OSPF)

Is an Interior Gateway Protocol (IGP)

  
 Border Gateway Protocol (BGP)  
 Open shortest Path First (OSPF)

Sends routing updates and hellos over a TCP session

  
 Border Gateway Protocol (BGP)  
 Open shortest Path First (OSPF)

Automatically discovers neighbors

  
 Border Gateway Protocol (BGP)  
 Open shortest Path First (OSPF)

**QUESTION 5**

An HP Provision switch port is implementing MAC Authentication (MAC-Auth) to a RADIUS server. A device connects to the port, and the switch submits a RADIUS Access-Request to the server. What correctly describes how the switch determines the username and password for the request?

- A. Depending on the configuration, the switch sends the device MAC address for the username or a configured username. It sends the device MAC address for the password or a configured password
- B. The switch always sends the device MAC address as the username. It always sends "provision" for the password, and this password cannot be reconfigured.
- C. The switch always sends the device MAC address as the username. Depending on the configuration, the password is the device MAC address or a configured password.
- D. The switch always sends the device MAC address as the username and the password, and this behavior cannot be reconfigured.

Correct Answer: D