

## HP2-Z34<sup>Q&As</sup>

Building HP FlexFabric Data Centers

**Pass HP HP2-Z34 Exam with 100% Guarantee**

Free Download Real Questions & Answers **PDF** and **VCE** file from:

<https://www.leads4pass.com/hp2-z34.html>

100% Passing Guarantee  
100% Money Back Assurance

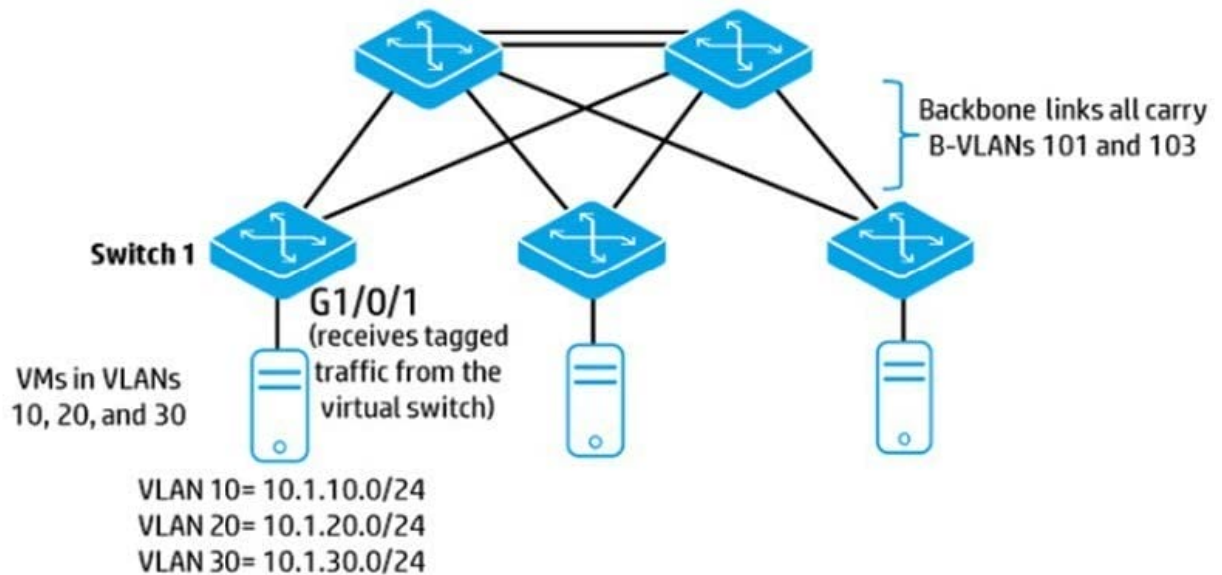
Following Questions and Answers are all new published by HP Official Exam Center

-  **Instant Download** After Purchase
-  **100% Money Back** Guarantee
-  **365 Days** Free Update
-  **800,000+** Satisfied Customers



**QUESTION 1**

Refer to the exhibit SPBM is being implemented on the backbone links shown in the exhibit. The servers in VLAN 10 (10.1.10.0/24) should be able to communicate at Layer 2 across the backbone. In the vsi section of the configuration on Switch 1, which logical components are required?



- A. the S-VLAN to which the servers are assigned and the ECT algorithm for distributing their traffic
- B. a unique I-SID for the servers and the B-VLAN that should carry their traffic
- C. the S-VLAN to which the servers are assigned and the B-VLAN that should carry their traffic
- D. a unique I-SID for the servers and the S-VLAN to which the servers are assigned

Correct Answer: C

**QUESTION 2**

An administrator configures an HP Comware switch to support FCoE in Fibre Channel Forwarder (FCF) mode. A switch interface connects to a server Converged Network Adapter (CNA) which sends normal data and storage traffic. What is the correct configuration for this port?

- A. FC port in NP mode
- B. bound to a VFC interface, which is in F mode
- C. bound to a VFC interface, which is in E mode
- D. FC port in F mode

Correct Answer: A

**QUESTION 3**

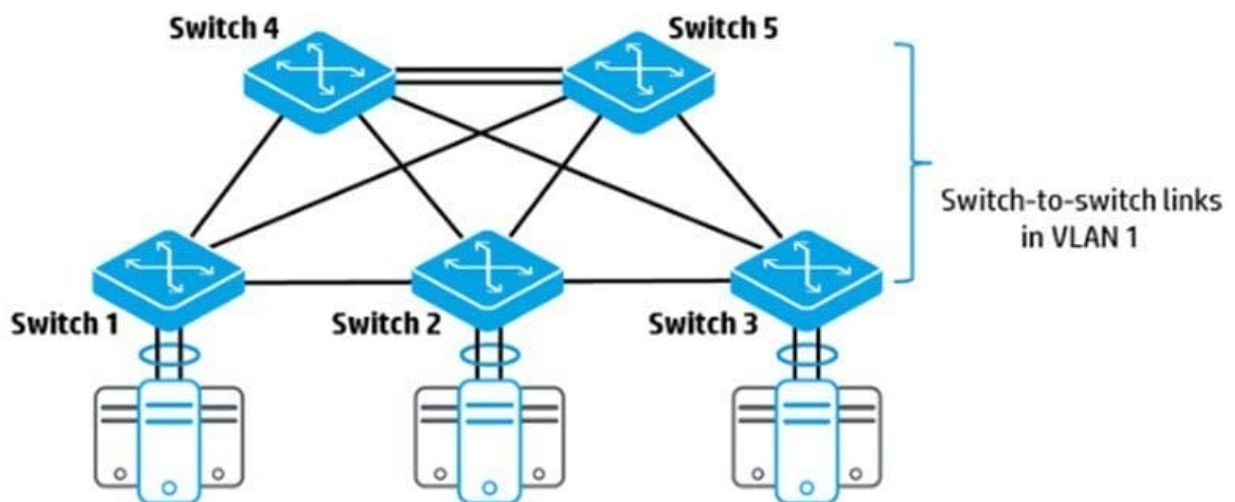
Which statement is correct about a Fibre Channel (FC) World Wide Name (WWN)?

- A. It is a hardware specific address for a LUN on a storage disk and can be used to direct FC frames to targets.
- B. It is a hardware specific address for an FC device and can be used to place the device in zones.
- C. It is assigned to an FC device based on its location and can be used to deliver FC frames
- D. It is assigned to an FC N-port as its switch joins the fabric and can be used to route FC frames

Correct Answer: B

**QUESTION 4**

Refer to the exhibit



An administrator wants these switches to establish a TRILL region. TRILL is enabled globally and nicknames are set. What must the administrator do so that each TRILL switch (RBridge) finds the best path to all other TRILL switches?

- A. Configure IS-IS on VLAN 1 on all the switches.
- B. Enable TRILL with the correct link-type on each switch-to-switch port
- C. Configure DRB priorities on all switch-to-switch links.
- D. Create a Virtual Service Instance (VSI) on each switch and define the other switches as TRILL peers.

Correct Answer: B

**QUESTION 5**

When is it recommended to block VRRP hellos between routers in the same VRRP instance?

- A. when the VRRP master and VRRP backup router are part of the same IRF virtual device
- B. when providing two VRRP master routers to be deployed in different data centers
- C. when the VRRP master and VRRP backup router are part of a TRILL domain
- D. when the VRRP master and VRRP backup router are top of the rack (ToR) switches

Correct Answer: A

[Latest HP2-Z34 Dumps](#)

[HP2-Z34 VCE Dumps](#)

[HP2-Z34 Study Guide](#)