

# HPE0-V13<sup>Q&As</sup>

Designing HPE Software-Defined Infrastructure Solutions

## Pass HP HPE0-V13 Exam with 100% Guarantee

Free Download Real Questions & Answers **PDF** and **VCE** file from:

<https://www.leads4pass.com/hpe0-v13.html>

100% Passing Guarantee  
100% Money Back Assurance

Following Questions and Answers are all new published by HP Official Exam Center

-  **Instant Download** After Purchase
-  **100% Money Back** Guarantee
-  **365 Days** Free Update
-  **800,000+** Satisfied Customers



**QUESTION 1**

A customer wants to start using containers. They have decided on Docker containers and Kubernetes for managing the containers, but their IT department not have a great deal of expertise in Kubernetes.

The customer requires a packaged solution that supports a private registry and role-based access control. It should also be able to integrate with middleware tools for messaging and CI/CD pipeline management.

The customer needs help sorting through orchestration platform options. Is this correct advice that you can provide?

Red Hat OpenShift Container Platform (OCP) and Docker Enterprise Engine (EE) both meet the customer's security needs.

A. Yes

B. No

Correct Answer: B

---

**QUESTION 2**

Is this a correct principle for designing vSAN on HPE Synergy? Drives for storage pools should use RAID 6.

A. Yes

B. No

Correct Answer: B

---

**QUESTION 3**

Is this a reason that a virtualization farm benefits from deployment on software-defined infrastructure (SDI)?

SDI helps customers scale out virtualization farms more quickly.

A. Yes

B. No

Correct Answer: A

---

**QUESTION 4**

Is this a benefit of the HPE Nimble plug-in for vCenter? storage management actions integrated into vCenter workflows

A. Yes

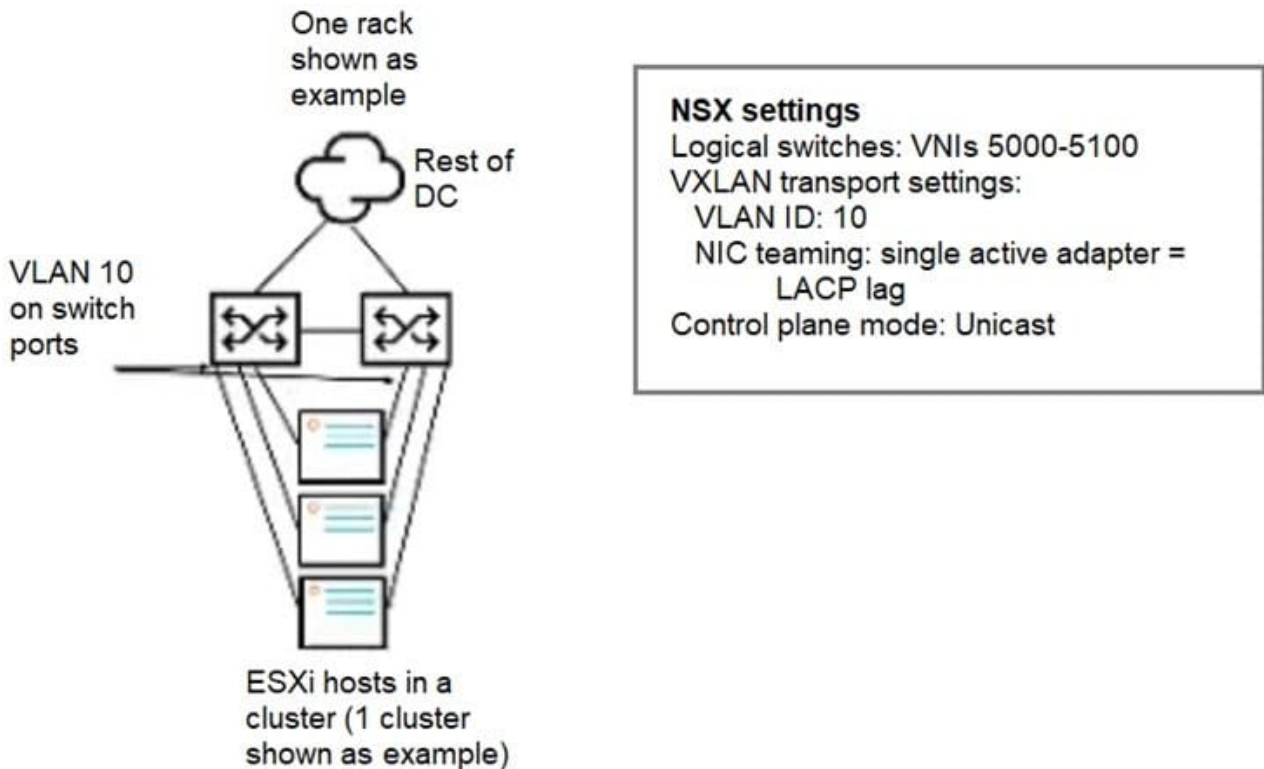
B. No

Correct Answer: A

Reference: <https://assets.ext.hpe.com/is/content/hpedam/a00044881enw>

**QUESTION 5**

Refer to the exhibit.



The exhibit indicates the customer NSX design and your plan for the connected ToR switches, which are ArubaOS-CX switches.

Is this something that you must do to make the network design fit with the customer design? Enable VXLAN on the ArubaOS-CX switches and link VXLAN IDs 5000-5100 to VLAN 10.

A. Yes

B. No

Correct Answer: B