

## HPE2-Z39<sup>Q&As</sup>

Fast Track - Applying Aruba Switching Fundamentals for Mobility

**Pass HP HPE2-Z39 Exam with 100% Guarantee**

Free Download Real Questions & Answers **PDF** and **VCE** file from:

<https://www.leads4pass.com/hpe2-z39.html>

100% Passing Guarantee  
100% Money Back Assurance

Following Questions and Answers are all new published by HP Official Exam Center

-  **Instant Download** After Purchase
-  **100% Money Back** Guarantee
-  **365 Days** Free Update
-  **800,000+** Satisfied Customers



## QUESTION 1

What is the purpose of the organization string that is set in the System > Admin settings of an Aruba Instant UI?

- A. It configures the SNMP credentials that Aruba AirWave uses to discover the cluster
- B. It directs the cluster to the proper Aruba Activate account for Zero Touch Provisioning (ZTP).
- C. It prevents unauthorized APs, which do not have the correct organization string, from joining the cluster.
- D. It defines the group and folder to which the Instant cluster should be assigned in Aruba AirWave.

Correct Answer: D

---

## QUESTION 2

An ArubaOS switch has an LACP link aggregation with two links. How does the switch balance traffic over the links?

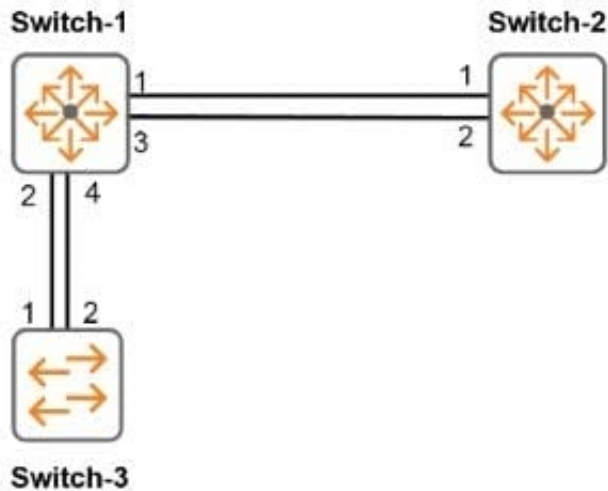
- A. It assigns the first conversation (as defined by the load-balancing algorithm) to the first link, the second conversation to the second link, and so on, in a round-robin fashion.
- B. It assigns the first packet to the first link, the second packet to the second link, and so on, in a round-robin fashion.
- C. It assigns all traffic to the first link until the link reaches a bandwidth threshold; it then assigns traffic to the second link.
- D. It assigns each conversation (as defined by the load-balancing algorithm) to a consistent link, based on a hash.

Correct Answer: B

---

## QUESTION 3

Refer to the exhibit.



A network administrator enters these commands and misconfigures the link aggregations:

```
Switch-1(config)# trunk 1-2 trk1 lacp
Switch-1(config)# trunk 3-4 trk2 lacp
Switch-2(config)# trunk 1-2 trk1 lacp
Switch-3(config)# trunk 1-2 trk1 lacp
```

Which behavior does Switch-1 exhibit on its link aggregations?

- A. It uses LACP to dynamically detect that ports 1 and 3 belong in trk 1. and ports 2 and 4 belong in trk2.
- B. It blocks one or both ports in each link aggregation due to errors detected by LACP.
- C. It sends an SNMP probe to Switch-2 and Swrtch-3 to determine whether it needs to shut down any of these ports.
- D. It load shares traffic on both ports in each LACP link aggregation, which leads to loops and network disruption.

Correct Answer: B

#### QUESTION 4

What is one characteristic of a spanning tree edge port on an ArubaOS switch?

- A. The port link state does not affect the RSTP topology.
- B. The port connects to a switch that runs MSTP but in a different region.
- C. The port only forwards traffic in VLANs assigned to the instance 0 (IST).
- D. The port ignores incoming BPDUs

Correct Answer: B

#### QUESTION 5

Refer to the exhibits.

Exhibit 1

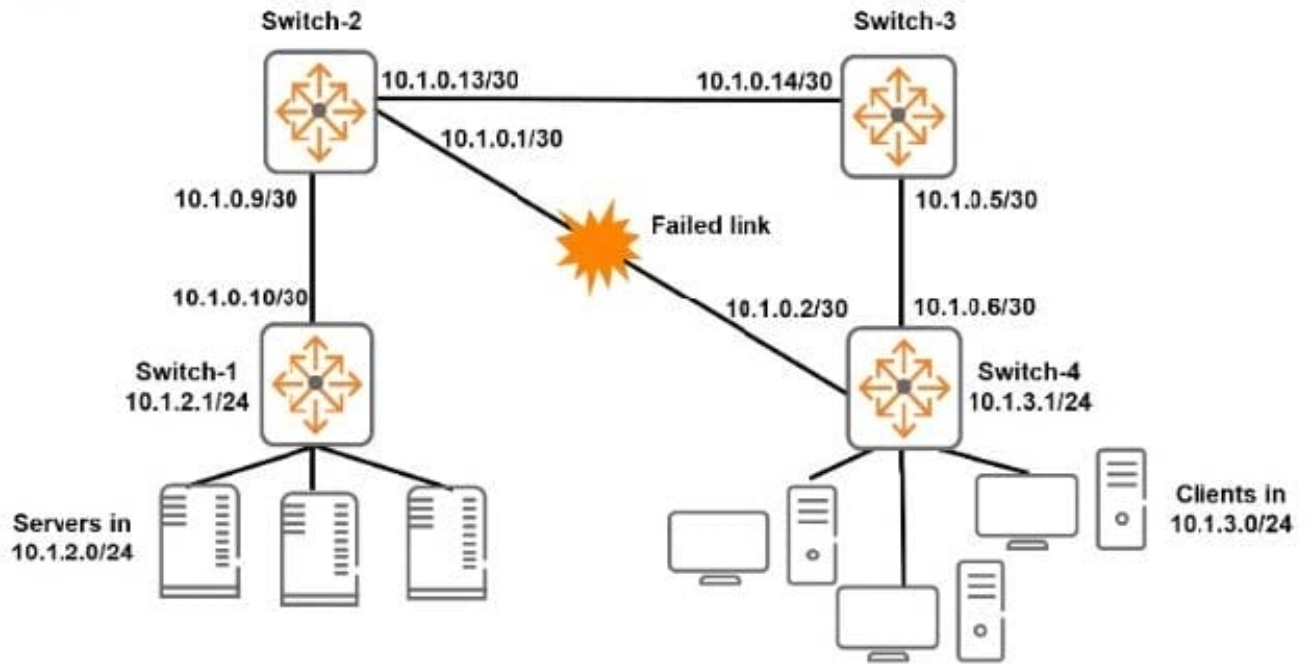


Exhibit 2

Switch-1# show ip route static

Destination	Gateway	IP Route Entries VLAN Type	Sub-Type	Metric	Dist.
10.1.3.0/24	10.0.1.9	103 static		1	1
127.0.0.0/8	reject	static		0	0

Switch-2# show ip route static

Destination	Gateway	IP Route Entries VLAN Type	Sub-Type	Metric	Dist.
10.1.2.0/24	10.1.0.10	103 static		1	1
127.0.0.0/8	reject	static		0	0

Switch-3# show ip route static

Destination	Gateway	IP Route Entries VLAN Type	Sub-Type	Metric	Dist.
10.1.2.0/24	10.1.0.13	104 static		1	1
10.1.3.0/24	10.1.0.6	102 static		1	1
127.0.0.0/8	reject	static		0	0

Switch-4# show ip route static

Destination	Gateway	IP Route Entries VLAN Type	Sub-Type	Metric	Dist.
10.1.2.0/24	10.1.0.5	102 static		1	1
127.0.0.0/8	reject	static		0	0

Exhibit 2 shows the IP routine tables for all the switches after the link between Switch-4 and Switch-2 failed. When this link fails, traffic between 10.1.3.0/24 and 10.1.2.0/24 is disrupted. What should the network administrator do to ensure that this traffic continues to flow if this link fails in the future? (Assume that routes on Switch-1 and Switch-3 are correct.)

- A. Add a route to 10.1.3.0/24 through 10.1.3.1 on Switch-4.
- B. Add a route to 10.1.2.0/24 through 10.1.0.14 on Switch-2.
- C. Add a route to 10.1.3.0/24 through 10.1.0.14 on Switch-2.
- D. Add a route to 10.1.2.0/24 through 10.1.2.1 on Switch-4.

Correct Answer: B

[HPE2-Z39 PDF Dumps](#)

[HPE2-Z39 Study Guide](#)

[HPE2-Z39 Braindumps](#)