

HPE2-Z39^{Q&As}

Fast Track - Applying Aruba Switching Fundamentals for Mobility

Pass HP HPE2-Z39 Exam with 100% Guarantee

Free Download Real Questions & Answers **PDF** and **VCE** file from:

<https://www.leadspass.com/hpe2-z39.html>

100% Passing Guarantee
100% Money Back Assurance

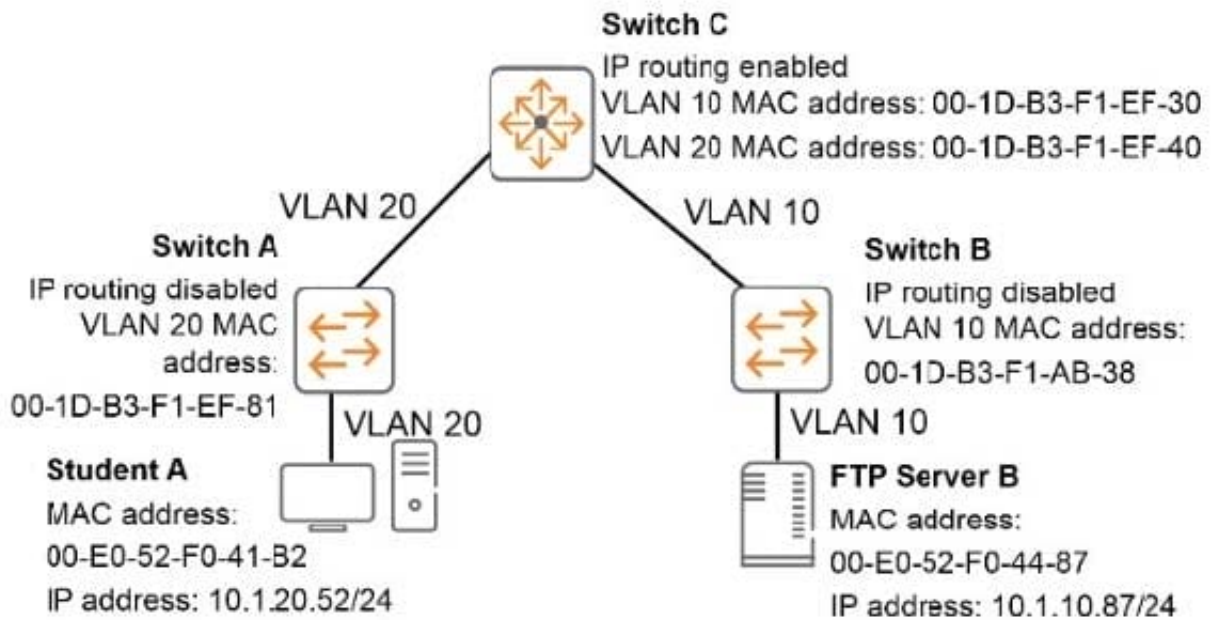
Following Questions and Answers are all new published by HP Official Exam Center

- ⚙️ **Instant Download** After Purchase
- ⚙️ **100% Money Back** Guarantee
- ⚙️ **365 Days** Free Update
- ⚙️ **800,000+** Satisfied Customers



QUESTION 1

Refer to the exhibit.



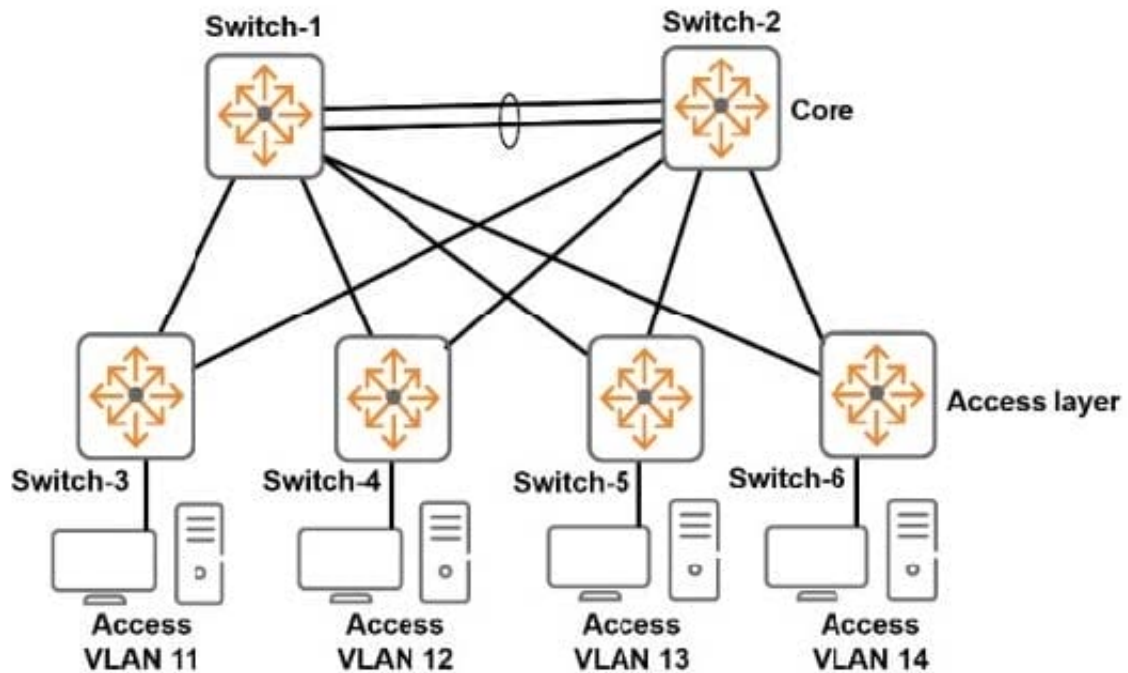
The Student A client needs to connect to FTP Server B. Student A sends the necessary ARP request and receives a reply. Which destination MAC address does the Student A client use in the FTP packet to FTP Server B?

- A. 00-E0-52-F0-41-B2
- B. 00-E0-52-F0-44-87
- C. 00-1D-B3-F1-EF-81
- D. 00-1D-B3-F1-EF-40

Correct Answer: D

QUESTION 2

Refer to the exhibit.



This exhibit shows the topology for a company campus LAN. Each access layer switch will be the default router for the devices connected to it. The company needs to permit the following:

1. Communications between devices in an subnets
2. Support for efficient traffic paths during normal operation and in situations in which a link fails
3. Fast failover if a link fails

Which feature should the network administrator configure on the ArubaOS switches to support these requirements?

- A. MSTP
- B. RIP
- C. Static Routes
- D. OSPF

Correct Answer: A

QUESTION 3

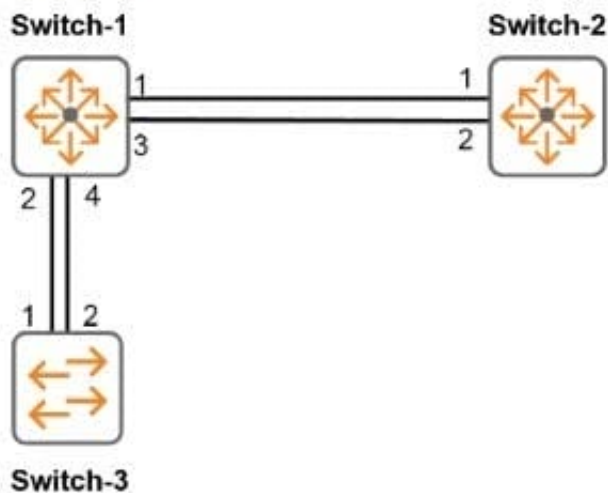
What must the network administrator do to enable some traffic to flow over each switch-to-switch link?

- A. On Switch-3, assign STP priority 0 to instance 1 and STP priority 1 (4096) to instance 2. On Switch-4, assign STP priority 1 to instance 1 and STP priority 0 to instance 2.
- B. Change the STP mode to MSTP on each switch.
- C. Change the VLAN-to-instance mapping on half of the switches so that VLAN 2 is assigned to instance 1 and VLAN 3 is assigned to instance 1.
- D. Configure the same MSTP region name and revision number on each switch.

Correct Answer: A

QUESTION 4

Refer to the exhibit.



A network administrator enters these commands and misconfigures the link aggregations:

```
Switch-1(config)# trunk 1-2 trk1 lacp
Switch-1(config)# trunk 3-4 trk2 lacp
Switch-2(config)# trunk 1-2 trk1 lacp
Switch-3(config)# trunk 1-2 trk1 lacp
```

Which behavior does Switch-1 exhibit on its link aggregations?

- A. It uses LACP to dynamically detect that ports 1 and 3 belong in trk 1. and ports 2 and 4 belong in trk2.
- B. It blocks one or both ports in each link aggregation due to errors detected by LACP.
- C. It sends an SNMP probe to Switch-2 and Swrtch-3 to determine whether it needs to shut down any of these ports.
- D. It load shares traffic on both ports in each LACP link aggregation, which leads to loops and network disruption.

Correct Answer: B

QUESTION 5

A network has ArubaOS switches and an Aruba Instant cluster with IP addresses on 10.1.255.0/24 The network

administrator wants to manage the devices in Aruba AirWave. The administrator uses the SNMP credentials configured on the switches to create a scan set for 10.1.255.0/24. The scan discovers the switches but not the Instant cluster.

What should the administrator do to discover the cluster in AirWave?

- A. Re-configure the scan set to use the Aruba Instant default SNMPv3 user admin
- B. Configure SNMP credentials in the Instant UI.
- C. Specify the AirWave IP address in the Instant UI System > Admin settings.
- D. Install the Instant cluster self-signed certificate on AirWave.

Correct Answer: B

[Latest HPE2-Z39 Dumps](#)

[HPE2-Z39 VCE Dumps](#)

[HPE2-Z39 Practice Test](#)