

HPE6-A45^{Q&As}

Implementing Aruba Campus Switching solutions

Pass HP HPE6-A45 Exam with 100% Guarantee

Free Download Real Questions & Answers **PDF** and **VCE** file from:

<https://www.leadspass.com/hpe6-a45.html>

100% Passing Guarantee
100% Money Back Assurance

Following Questions and Answers are all new published by HP Official Exam Center

-  **Instant Download** After Purchase
-  **100% Money Back** Guarantee
-  **365 Days** Free Update
-  **800,000+** Satisfied Customers



QUESTION 1

Refer to the exhibits. Exhibit 1

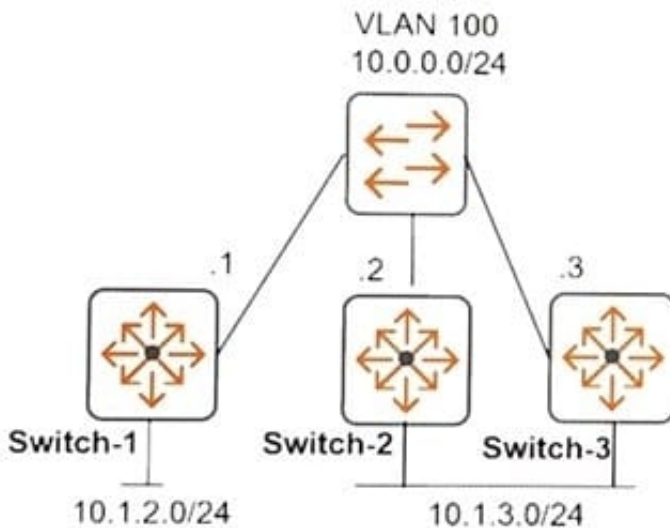


Exhibit 2

```
Switch-2# show log -r
E 09/02/17 04:50:23 02703 OSPF: AM1: ADJCHG: Neighbor with Router ID 10.0.0.1
    on vlan-100 moved to Down state - adjacency lost.
W 09/02/17 04:50:23 05076 bfd: AM1: BFD session 1 error NeighborSessionDown.
I 09/02/17 04:50:23 05080 bfd: AM1: Session 1 under OSPF changed to DOWN.
```

Exhibit 1 shows the topology for the network. The network administrator sees the log entries shown in Exhibit 2. Which type of failure is indicated?

- A. A link between Switch-1 and Switch-2 went down. BFD detected the lost connectivity and behaved as expected.
- B. Graceful restart helper was not enabled on Switch-2, so BFD was unable to operate correctly, and the session was taken down.
- C. A hardware issue caused a unidirectional link; BFD detected the issue at Layer 2 and prevented a broadcast storm.
- D. BFD was set up incorrectly on Switch-2, so it caused Switch-2 to lose adjacency with Switch-1 rather than repair the session.

Correct Answer: D

QUESTION 2

A company has AOS-Switches, Aruba ClearPass, and Aruba AirWave. A network administrator needs to set up a new switch with the same settings found on other switches in the company.

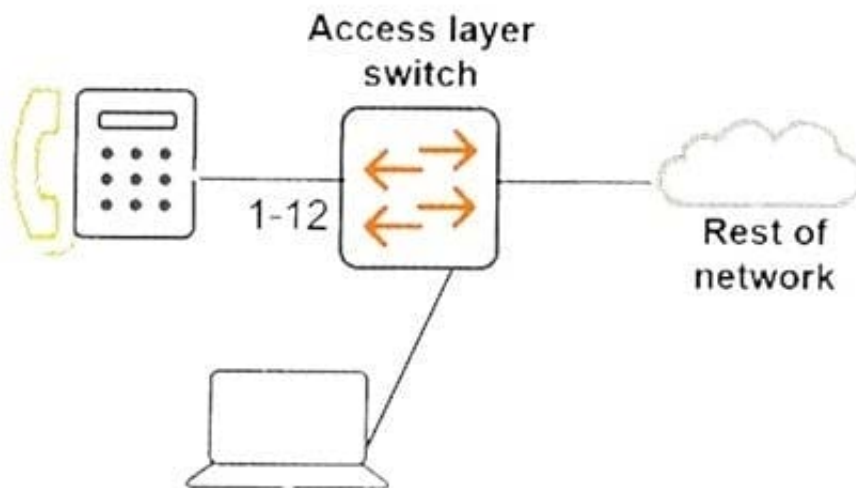
Which action is likely to be the most useful to perform the task?

- A. View usage patterns on the switches on AirWave.
- B. Retrieve the running config from ClearPass.
- C. Use the configuration audit tool on AirWave.
- D. Access the Network Device view on ClearPass.

Correct Answer: B

QUESTION 3

Refer to the exhibits. Exhibit 1 Exhibit 2



Switches partial running-config

```
aaa port-access local-mac mac-group "myphones"  
  mac-oui 2c4138  
  exit  
aaa port-access local-mac profile "myphones"  
  vlan untagged 3  
  cos 5  
  exit  
aaa port-access local-mac apply profile "myphones" mac-group  
"myphones"  
aaa port-access local-mac 1-12
```

A company does not require authentication for security, but AOS-Switches are set up to use local MAC authentication (LMA) to assign the correct VLAN and priority to IP phones. IP phones and computers belong to different VLANs. Each device is supposed to connect to a specific port, but sometimes users connect their devices to the wrong ports and cannot receive access without help from IT.

How can a network administrator configure the switches to eliminate this issue?

- A. Set the address limit to 2 on the switch ports that apply LMA.
- B. Create a user role that applies the user VLAN, and set this role as the initial role.
- C. Add the MAC addresses for computers to the myPhones MAC group.
- D. Apply LMA to all edge switch ports, and set the unauth VLAN to the user VLAN.

Correct Answer: C

QUESTION 4

What is the purpose of the captive portal URL hash key on an AOS-Switch?

- A. It specifies the captive portal URL and conceals the setting in the config.
- B. It authenticates guest users based on the password the users enter in the portal.
- C. It does not let users alter the URL that redirects them to the portal.
- D. It encrypts and secures the RADIUS messages that the AOS-Switch sends to ClearPass.

Correct Answer: C

QUESTION 5

OSPF Area 1 has two ABRs. One ABR is configured with this range for Area 1: 10.10.0.0/16. The other ABR is configured with this range for Area 1: 10.10.0.0/17.

Which type of issue occurs due to this mismatch?

- A. The ABRs lose adjacency entirely and cannot route traffic between each other at all.
- B. The ABRs create a discontinuous area and disrupt intra-area routing between devices within Area 1.
- C. The ABRs advertise routes inconsistently, and they could potentially introduce a routing loop.
- D. The ABRs lose adjacency in Area 1 and must route all traffic to each other through Area 0.

Correct Answer: C

[HPE6-A45 VCE Dumps](#)

[HPE6-A45 Exam Questions](#)

[HPE6-A45 Braindumps](#)