

JN0-662^{Q&As}

Service Provider Routing and Switching - Professional (JNCIP-SP)

Pass Juniper JN0-662 Exam with 100% Guarantee

Free Download Real Questions & Answers **PDF** and **VCE** file from:

<https://www.leads4pass.com/jn0-662.html>

100% Passing Guarantee
100% Money Back Assurance

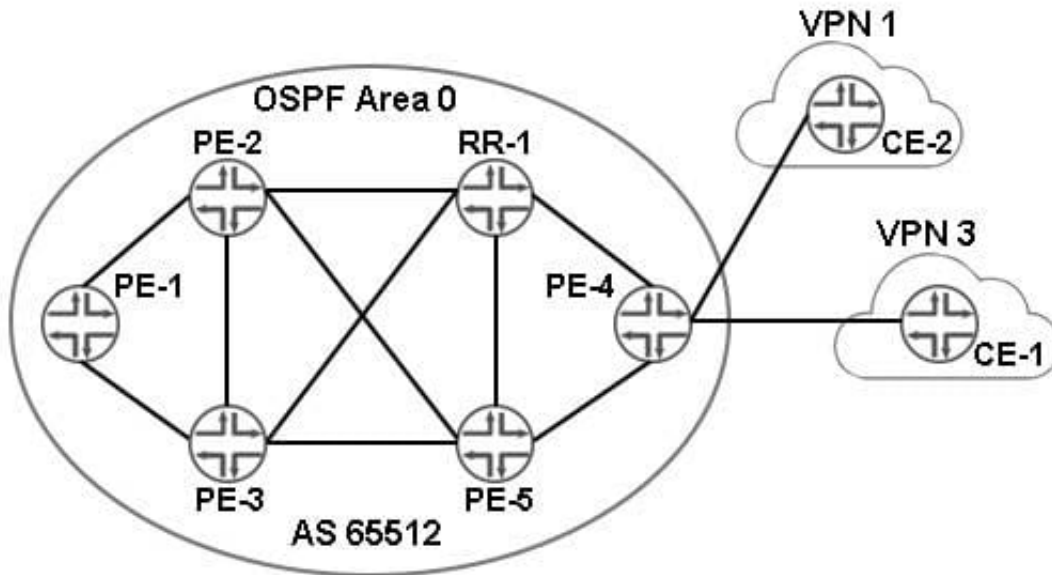
Following Questions and Answers are all new published by Juniper
Official Exam Center

-  **Instant Download** After Purchase
-  **100% Money Back** Guarantee
-  **365 Days** Free Update
-  **800,000+** Satisfied Customers



QUESTION 1

Click the Exhibit button.



Referring to the exhibit, you have multiple Layer 3 VPNs established in your network. You are asked to ensure that PE-4 allows CE-2 in VPN 1 to communicate with CE-1 in VPN 3.

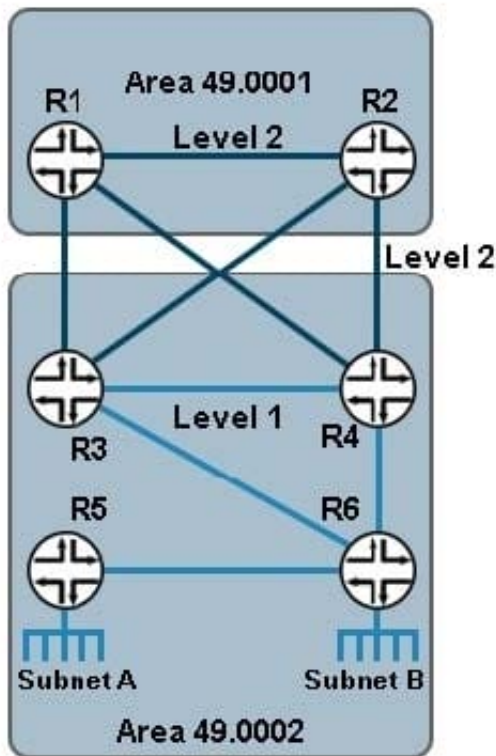
Which two statements are correct in this scenario? (Choose two.)

- A. Use a BGP export policy to share the appropriate VRF routes.
- B. Use the auto-export feature to share the appropriate VRF routes.
- C. Use a BGP import policy to share the appropriate VRF routes.
- D. Use rib-groups to share the appropriate VRF routes.

Correct Answer: AC

QUESTION 2

Click the Exhibit button.



R5 must advertise Subnet A into IS-IS so that Subnet A and Subnet B can communicate. Subnet B must be able to forward traffic to Subnet A and towards Area 49.0001. However, R5 should not be able to route traffic from Subnet A to Area 49.0001.

Referring to the exhibit, how would you solve this problem?

- A. Configure Level 2 on all links in Area 49.0002.
- B. Configure the set protocols isis ignore-attached-bit parameter on R5.
- C. Configure the set protocols isis overload parameter on R6.
- D. Configure an export policy on R6 to reject all routes except Subnet B towards R5.

Correct Answer: B

QUESTION 3

Click the Exhibit button.

```
user@host> show route table bgp.evpn.0

1:10.0.0.189:0::abcd0001000001::FFFF:FFFF/192 AD/ESI
    *[BGP/170] 03:06:10, localpref 100, from 10.0.C.189
    AS path: I, validation-state: unverified
    > to 10.0.0.33 via et-0/0/0.0
    to 10.0.0.35 via et-0/0/1.0
2:10.0.0.189:1::100::00:00:5e:00:01:01/304 MAC/IP
    *[BGP/170] 03:13:54, localpref 100, from 10.0.C.189
    AS path: I, validation-state: unverified
    > to 10.0.0.33 via et-0/0/0.0
    to 10.0.0.35 via et-0/0/1.0
3:10.0.0.189:1::100::10.0.0.189/248 IM
    *[BGP/170] 03:13:54, localpref 100, from 10.0.C.189
    AS path: I, validation-state: unverified
    > to 10.0.0.33 via et-0/0/0.0
    to 10.0.0.35 via et-0/0/1.0
4:10.0.0.189:0::abcd0001000001:10.0.0.189/296 ES
    *[BGP/170] 03:06:11, localpref 100, from 10.0.C.189
    AS path: I, validation state: unverified
    > to 10.0.0.33 via et-0/0/0.0
    to 10.0.0.35 via et-0/0/1.0
```

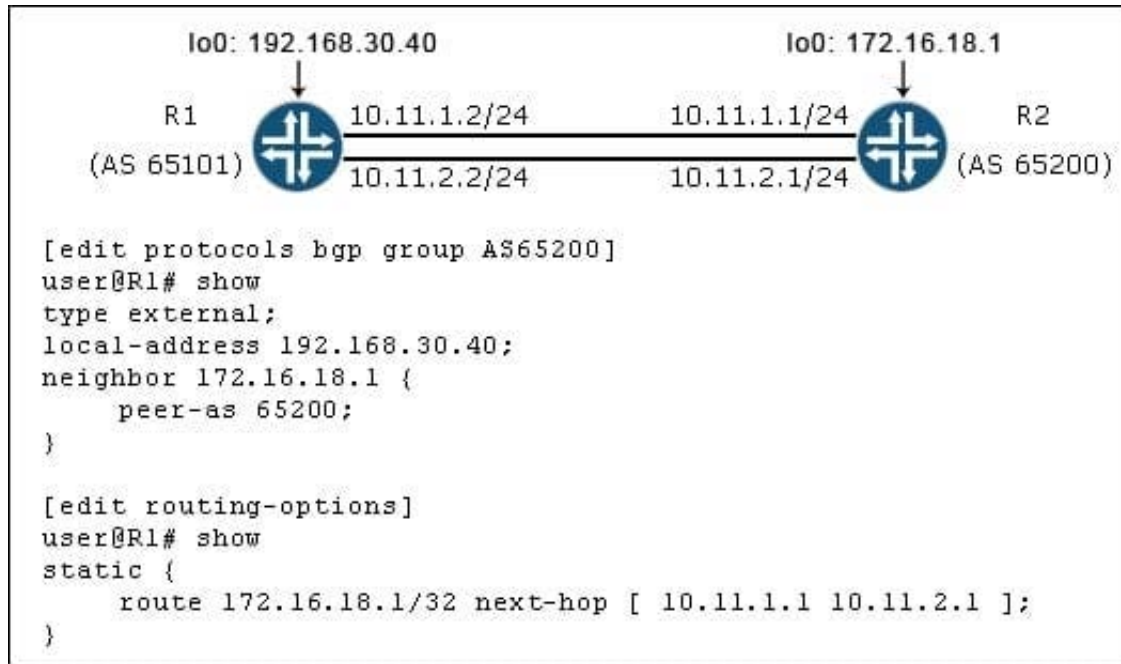
Referring to the exhibit, what is the correct prefix length of the route for the multihomed device?

- A. 192
- B. 304
- C. 296
- D. 248

Correct Answer: B

QUESTION 4

Click the Exhibit button.



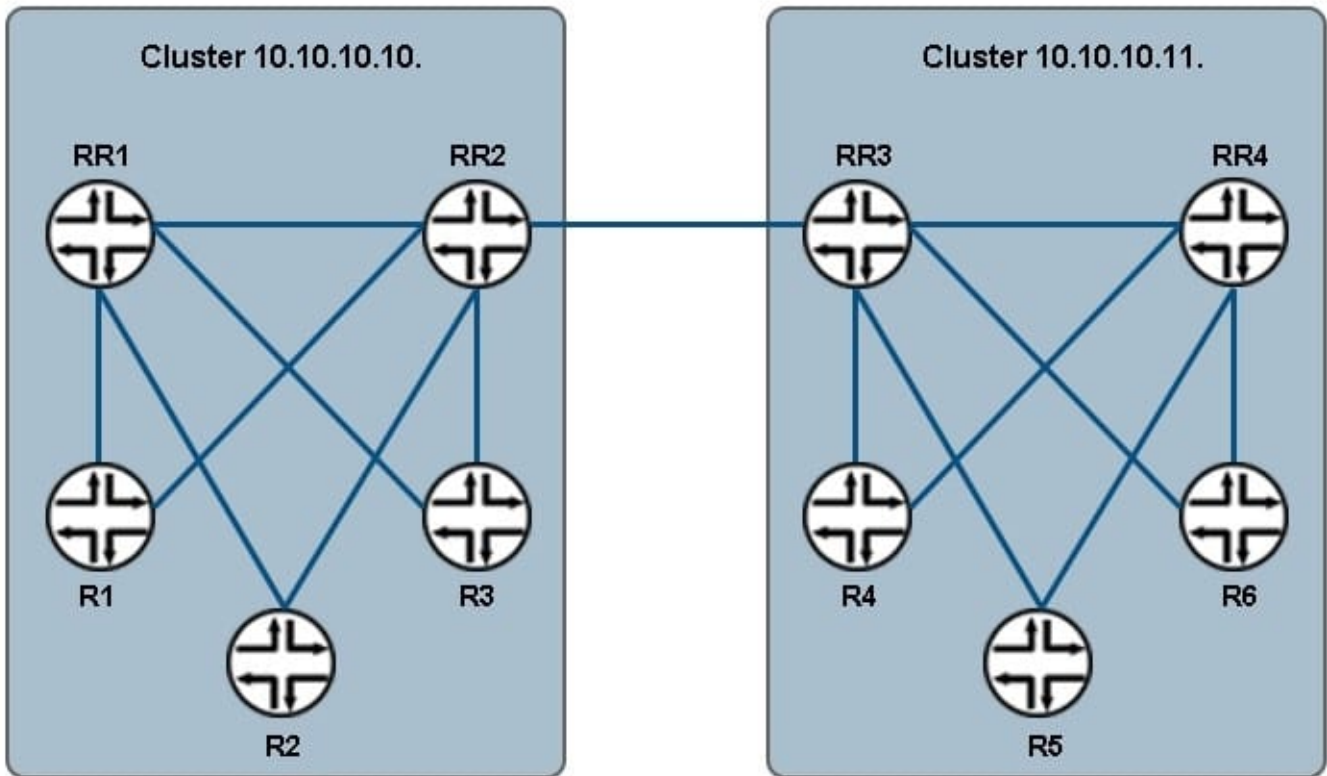
Referring to the exhibit, what must be added to the existing configuration to ensure that per-prefix load balancing occurs?

- A. multihop
- B. keep all
- C. multipath
- D. family inet unicast

Correct Answer: A

QUESTION 5

Click the Exhibit button.



Referring to the exhibit, RR1-RR4 are route reflectors.

Which three routers would RR1 need to peer with if the no-client-reflect parameter has been configured? (Choose three.)

- A. R2
- B. R5
- C. RR4
- D. R6
- E. R1

Correct Answer: ACE

[Latest JN0-662 Dumps](#)

[JN0-662 PDF Dumps](#)

[JN0-662 Practice Test](#)