

JN0-662^{Q&As}

Service Provider Routing and Switching - Professional (JNCIP-SP)

Pass Juniper JN0-662 Exam with 100% Guarantee

Free Download Real Questions & Answers **PDF** and **VCE** file from:

<https://www.leads4pass.com/jn0-662.html>

100% Passing Guarantee
100% Money Back Assurance

Following Questions and Answers are all new published by Juniper
Official Exam Center

-  **Instant Download** After Purchase
-  **100% Money Back** Guarantee
-  **365 Days** Free Update
-  **800,000+** Satisfied Customers



QUESTION 1

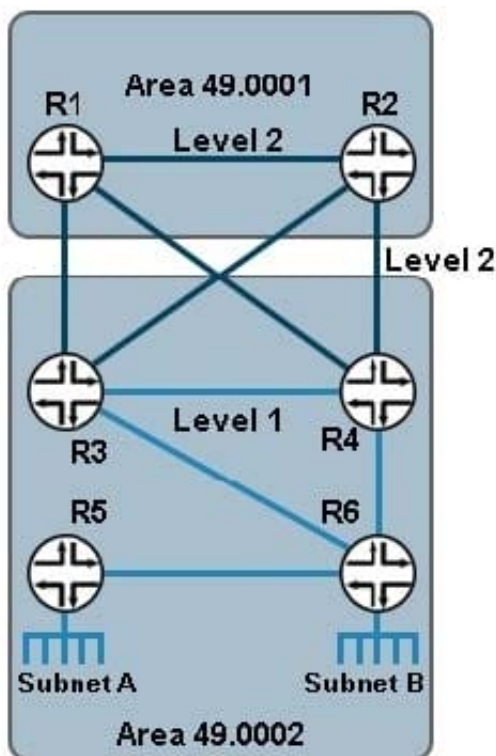
Which statement is correct regarding BGP route reflectors?

- A. The route reflectors must have a private AS number.
- B. The route reflectors must have an EBGP peering session between each other.
- C. The route reflectors must have a cluster ID configured.
- D. The route reflectors must have a different AS number than the clients.

Correct Answer: C

QUESTION 2

Click the Exhibit button.



R5 must advertise Subnet A into IS-IS so that Subnet A and Subnet B can communicate. Subnet B must be able to forward traffic to Subnet A and towards Area 49.0001. However, R5 should not be able to route traffic from Subnet A to Area 49.0001.

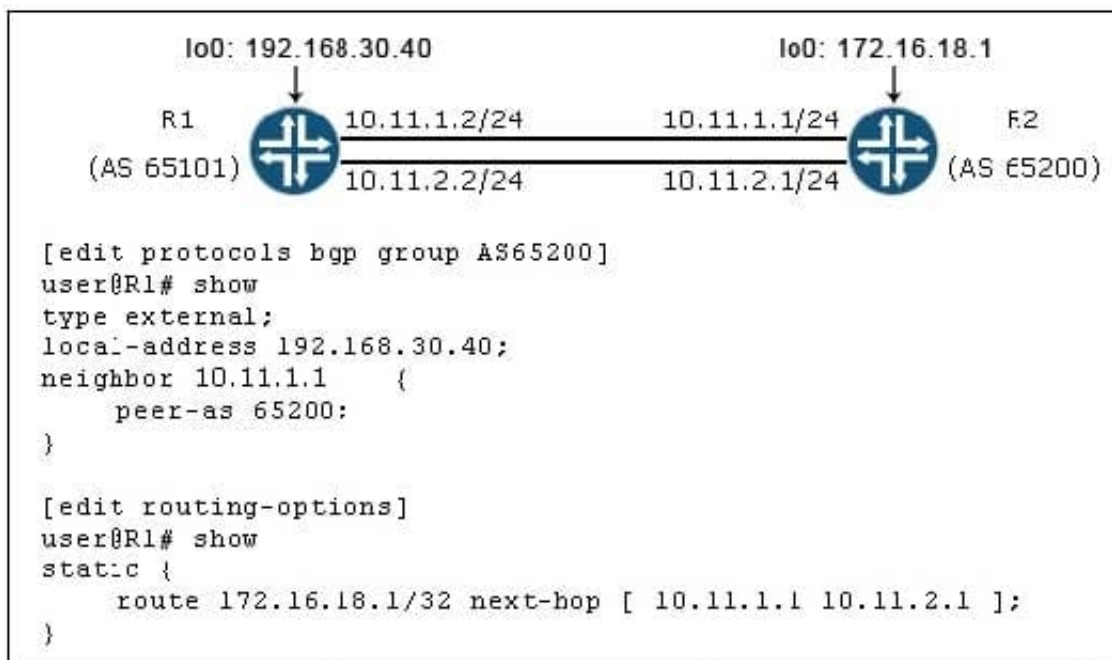
Referring to the exhibit, how would you solve this problem?

- A. Configure Level 2 on all links in Area 49.0002.
- B. Configure the set protocols isis ignore-attached-bit parameter on R5.
- C. Configure the set protocols isis overload parameter on R6.
- D. Configure an export policy on R6 to reject all routes except Subnet B towards R5.

Correct Answer: B

QUESTION 3

Click the Exhibit button.



Referring to the exhibit, what must be added to the existing configuration to ensure that per-prefix load balancing occurs?

- A. multihop
- B. keep all
- C. multipath
- D. family inet unicast

Correct Answer: C

QUESTION 4

Which two statements are correct regarding site IDs and circuit IDs in a VPLS routing instance? (Choose two.)

- A. In an LDP VPLS routing instance, vpls-id parameters must be different in each location.
- B. In an LDP VPLS routing instance, the vpls-id parameters must match in all locations.
- C. In a BGP VPLS routing instance, the site-id parameters must be different in each location.
- D. In a BGP VPLS routing instance, the site-id parameters must match in all locations.

Correct Answer: BC

QUESTION 5

According to Juniper Networks, what are three methods of scaling Layer 2 VPNs? (Choose three.)

- A. inbound route filters
- B. route reflection
- C. outbound route filters
- D. filter-based forwarding
- E. BGP route refresh

Correct Answer: ABC

[Latest JN0-662 Dumps](#)

[JN0-662 Study Guide](#)

[JN0-662 Exam Questions](#)