

## NS0-181<sup>Q&As</sup>

NetApp Certified Storage Installation Engineer - ONTAP 9.1

### Pass NetApp NS0-181 Exam with 100% Guarantee

Free Download Real Questions & Answers **PDF** and **VCE** file from:

<https://www.leads4pass.com/ns0-181.html>

100% Passing Guarantee  
100% Money Back Assurance

Following Questions and Answers are all new published by NetApp  
Official Exam Center

-  **Instant Download** After Purchase
-  **100% Money Back** Guarantee
-  **365 Days** Free Update
-  **800,000+** Satisfied Customers



## QUESTION 1

Click the Exhibit button.

```
Welcome to node setup.
```

```
You can enter the following commands at any time:
```

```
"help" or "?" - if you want to have a question clarified,
```

```
"back" - if you want to change previously answered questions, and
```

```
"exit" or "quit" - if you want to quit the setup wizard.
```

```
Any changes you made before quitting will be saved.
```

```
To accept a default or omit a question, do not enter a value.
```

```
Enter the node management interface port [e0c]:
```

You want to add a FAS2750 HA pair to an existing 6-node cluster.

Referring to the exhibit, which action would you perform to begin adding the node?

- A. Use the back command to begin the Cluster Setup wizard.
- B. Reboot the node and enter maintenance mode and run the Cluster Setup wizard.
- C. Use the node setup wizard and select 0a as the management interface.
- D. Use the exit or quit commands then run the cluster setup command.

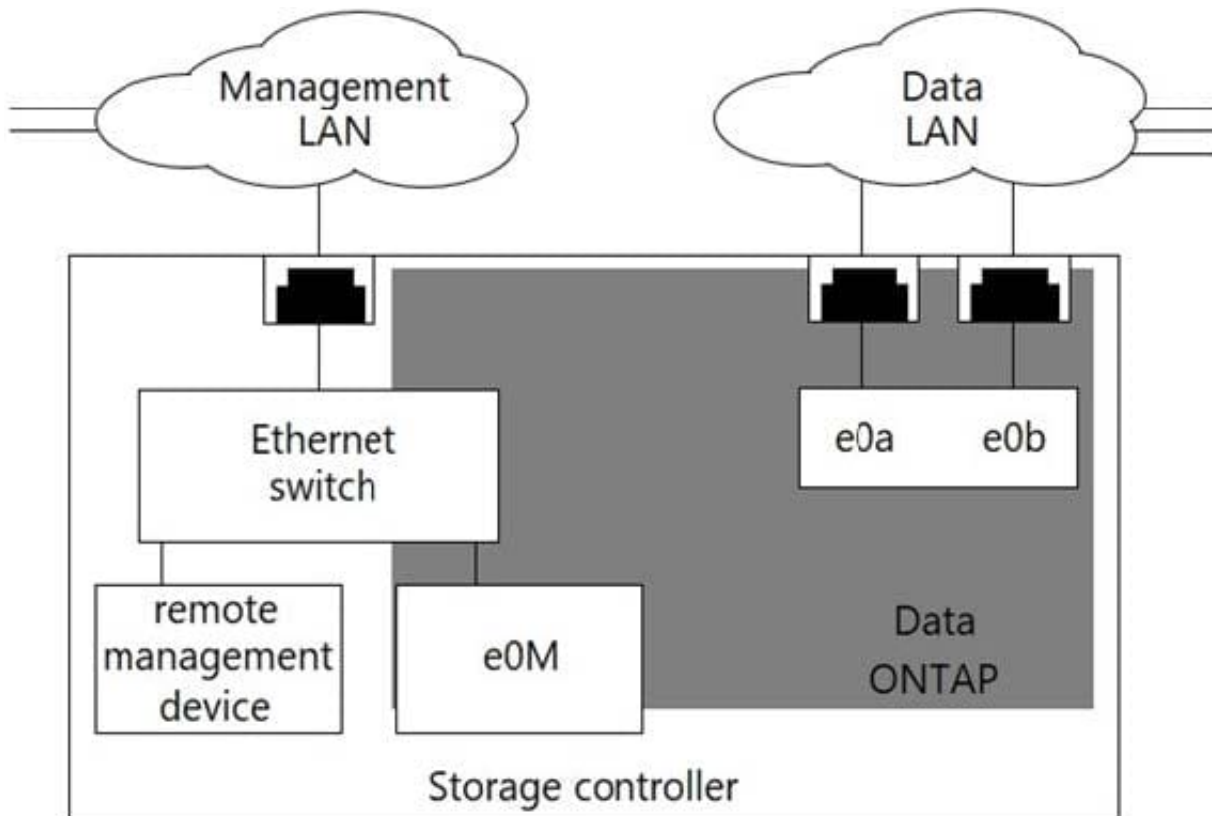
Correct Answer: C

Reference: <http://docs.netapp.com/ontap-9/topic/com.netapp.doc.dot-cm-sag/System%20administration.pdf> (35)

---

## QUESTION 2

Click the Exhibit button.



You are installing a new FAS cluster. The management network must be on tagged VLAN 11 for remote administration by a service provider. Referring to the exhibit, which two ports will allow service provider access to both cluster and node management LIFs? (Choose two.)

- A. e0M
- B. e0b-11
- C. e0a-11
- D. e0M-11

Correct Answer: AD

**QUESTION 3**

You need to install a cluster with a FAS2720 HA pair and a FAS8300 HA pair.

Which NetApp tool will verify which cluster interconnect switches support this configuration?

- A. Active IQ Config Advisor
- B. Interoperability Matrix Tool (IMT)
- C. Hardware Universe (HWU)
- D. mysupport.netapp.com site

Correct Answer: C

Reference: <https://www.netapp.com/media/12424-tr4036.pdf>

---

## QUESTION 4

What should you do to change the data protocol of a LIF?

- A. Delete and re-recreate the LIF.
- B. Add the new data protocol to the LIF.
- C. Put the LIF in another broadcast domain.
- D. Shut down the assigned port.

Correct Answer: A

Reference: <https://docs.netapp.com/ontap-9/index.jsp?topic=%2Fcom.netapp.doc.dot-cm-nmg%2FGUID-26EEBB35-4CA6-4814-B819-32DAB46F50E5.html>

---

## QUESTION 5

You are asked to add a new HA pair to an existing 2-node switchless AFF A220 cluster. You must first convert to a 2-node switched cluster using Broadcom BES-53248 cluster switches. Which two conditions must be fulfilled before you start the migration? (Choose two.)

- A. All cluster LIFs must be in the up state and on their home ports.
- B. The "Enabled Switchless Cluster" option must be manually set to "false".
- C. All cluster LIFs must have an MTU size of 1500.
- D. The 2-node switchless configuration must be properly set up and functioning.

Correct Answer: AD

Reference: <https://docs.netapp.com/platstor/index.jsp?topic=%2Fcom.netapp.doc.hw-sw-ix8-migrate-2n%2FGUID-81FD5EDF-8902-40EA-9050-69358426CB6F.html>

[Latest NS0-181 Dumps](#)

[NS0-181 VCE Dumps](#)

[NS0-181 Exam Questions](#)