

NSE6_FML-6.0^{Q&As}

Fortinet NSE 6 - FortiMail 6.0

Pass Fortinet NSE6_FML-6.0 Exam with 100% Guarantee

Free Download Real Questions & Answers **PDF** and **VCE** file from:

https://www.leads4pass.com/nse6_fml-6-0.html

100% Passing Guarantee
100% Money Back Assurance

Following Questions and Answers are all new published by Fortinet Official Exam Center

- ⚙️ **Instant Download** After Purchase
- ⚙️ **100% Money Back** Guarantee
- ⚙️ **365 Days** Free Update
- ⚙️ **800,000+** Satisfied Customers



QUESTION 1

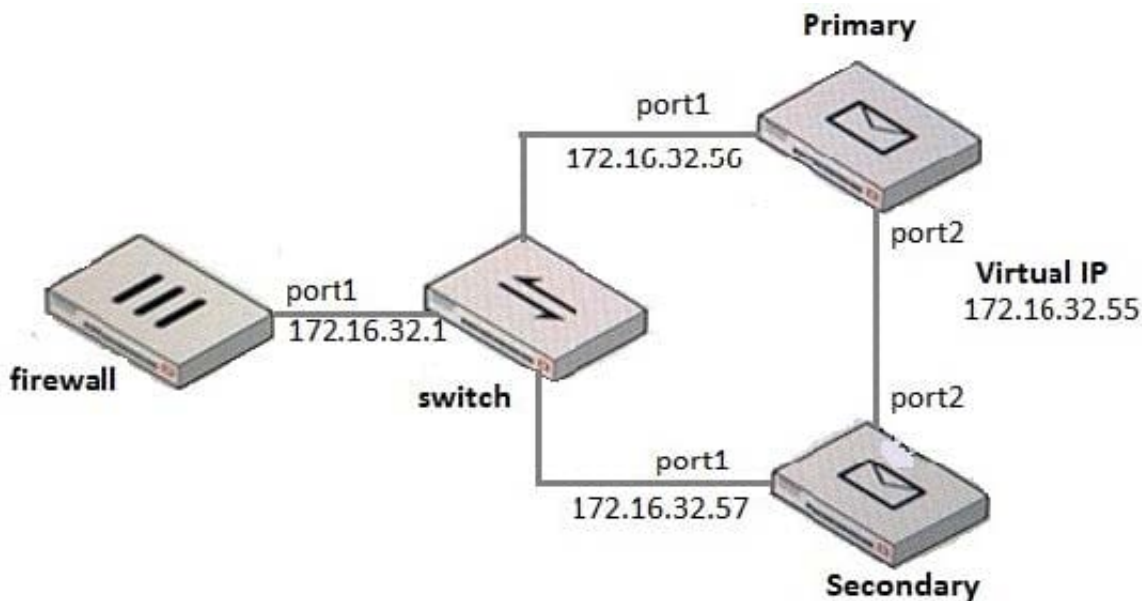
Which firmware upgrade method for an active-passive HA cluster ensures service outage is minimal and there are no unnecessary failovers?

- A. Upgrade the active unit, which will upgrade the standby unit automatically
- B. Upgrade both units at the same time
- C. Upgrade the standby unit, and then upgrade the active unit
- D. Break the cluster, upgrade the units independently, and then form the cluster again as quickly as possible

Correct Answer: D

QUESTION 2

Examine the FortiMail active-passive cluster shown in the exhibit; then answer the question below.



Primary HA Interface Configuration

HA Interface

Port:	port1...
Enable port monitor	<input type="checkbox"/>
Heartbeat status:	Disable
Peer IP address:	0.0.0.0
Peer IPv6 address:	::
Virtual IP action:	Ignore
Virtual IP address:	0.0.0.0 / 0
Virtual IPv6 address:	:: / 0

Which of the following parameters are recommended for the Primary FortiMail's HA interface configuration? (Choose three.)

- A. Enable port monitor: disable
- B. Peer IP address: 172.16.32.57
- C. Heartbeat status: Primary
- D. Virtual IP address: 172.16.32.55/24
- E. Virtual IP action: Use

Correct Answer: CDE

QUESTION 3

A FortiMail administrator is investigating a sudden increase in DSNs being delivered to the protected domain for undeliverable email messages. After searching the logs, the administrator identifies that the DSNs were not generated as a result of any outbound email sent from the protected domain. Which FortiMail antispam technique can the administrator use to prevent this scenario? (Choose one.)

- A. Bounce address tag validation
- B. Spam outbreak protection
- C. Spoofed header detection
- D. FortiGuard IP Reputation

Correct Answer: B

QUESTION 4

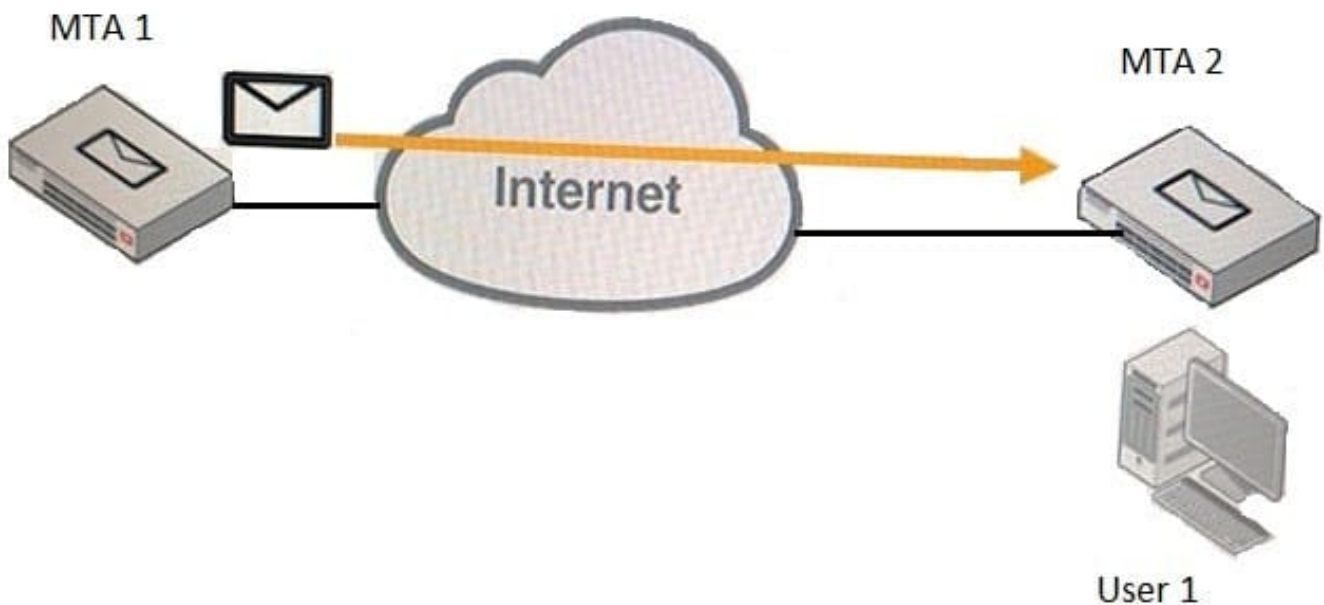
What are the configuration steps to enable DKIM signing for outbound messages on FortiMail? (Choose three.)

- A. Enable DKIM signing for outgoing messages in a matching session profile
- B. Publish the public key as a TXT record in a public DNS server
- C. Enable DKIM check in a matching session profile
- D. Enable DKIM check in a matching antispam profile
- E. Generate a public/private key pair in the protected domain configuration

Correct Answer: ACE

QUESTION 5

Examine the exhibit; then answer the question below.



MTA 1 is delivering an email intended for User 1 to MTA 2. Which of the following statements about protocol usage between the devices are true? (Choose two.)

- A. MTA 2 will use IMAP to receive the email message from MTA 1
- B. MTA 1 will use SMTP to deliver the email message to MTA 2

C. User 1 will use IMAP to download the email message from MTA 2

D. MTA 1 will use POP3 to deliver the email message to User 1 directly

Correct Answer: BC

[NSE6_FML-6.0 PDF Dumps](#)

[NSE6_FML-6.0 Practice
Test](#)

[NSE6_FML-6.0 Braindumps](#)