



200-155^{Q&As}

Introducing Cisco Data Center Technologies

Pass Cisco 200-155 Exam with 100% Guarantee

Free Download Real Questions & Answers **PDF** and **VCE** file from:

<https://www.lead4pass.com/200-155.html>

100% Passing Guarantee
100% Money Back Assurance

Following Questions and Answers are all new published by Cisco
Official Exam Center

-  **Instant Download** After Purchase
-  **100% Money Back** Guarantee
-  **365 Days** Free Update
-  **800,000+** Satisfied Customers





QUESTION 1

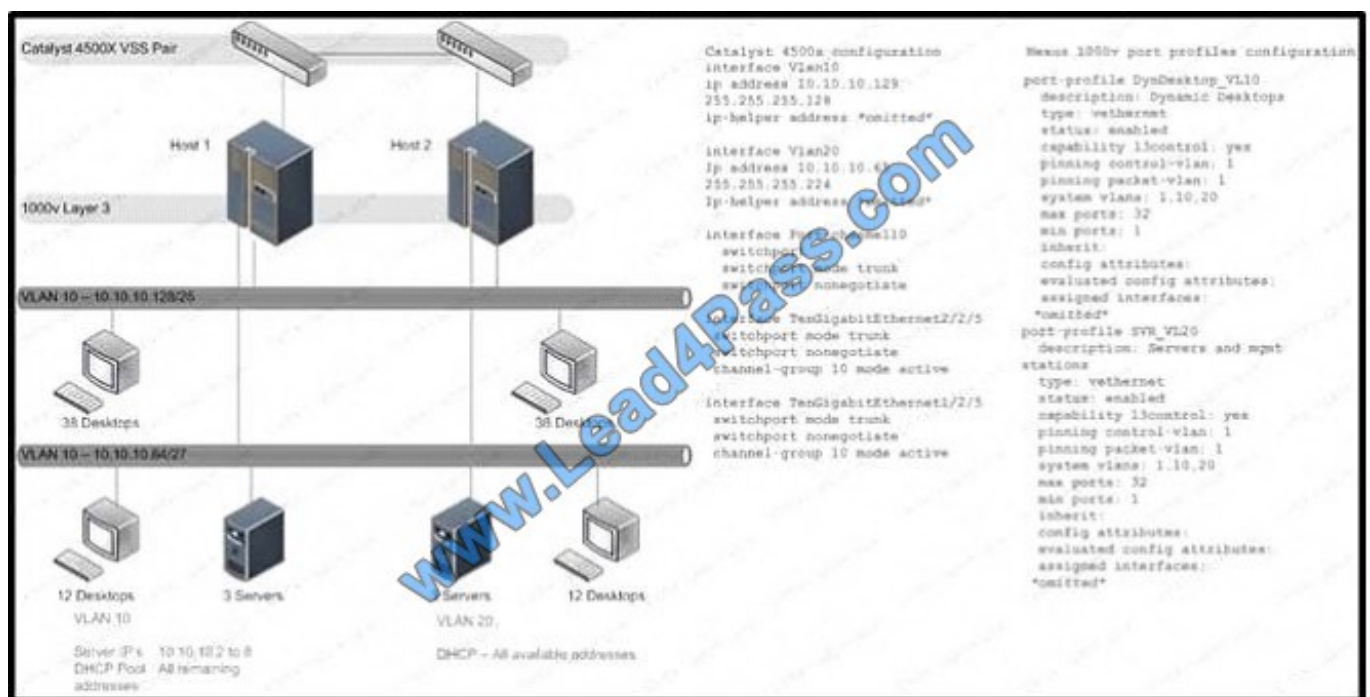
Cisco Fabric Extender Technology is based on which IEEE standard?

- A. 802.1BR
- B. 802.1 AX
- C. 802.1AB
- D. 802.1BA

Correct Answer: A

QUESTION 2

Refer to the exhibit.



An engineer is presented with a VMWare ESX cluster consisting of two VMWare ESX hosts running Nexus 1000v. The guest system inventory consists of 100 static virtual desktops.

What change will permit all 100 guests to be online at the same time?

- A. increase the subnet size for VLAN 10 on the 4500x core
- B. increase the max-ports setting for the VLAN 10
- C. increase the global max-ports setting in the Nexus 1000v
- D. increase the max-ports setting for both VLAN 10 and 20



Correct Answer: B

QUESTION 3

What native Fibre Channel technology facilitates connecting multiple Fibre Channel devices behind a single FC address?

- A. N-Port Virtualization
- B. N-Port Identification Virtualization
- C. Fibre Channel Arbitrary Loop
- D. Fiber Channel over Ethernet

Correct Answer: C

QUESTION 4

Which statement about a bridge domain is true?

- A. A bridge domain must be linked to one internal network and one external network
- B. A bridge domain must be linked to a physical domain
- C. A bridge domain typically has at least one subnet that is associated with it
- D. A bridge domain must have at least one external network that is associated with it

Correct Answer: C

QUESTION 5

Which statement about NPIV is true?

- A. NPIV provides a means to assign multiple Fibre Channel IDs to a single N-port
- B. NPIV can be enabled on a per-VSAN basis.
- C. NPIV requires a "write erase" and then reload the switch in order to come up into NPIV mode.
- D. NPIV is a Cisco proprietary feature and as such works only between two Cisco switches.
- E. NPIV must not be enabled on a switch that is also running N-port virtualization.

Correct Answer: A



QUESTION 6

Which two are benefits of Cisco Unified Fabric? (Choose two)

- A. SNMPv3 strong authentication
- B. reduced cabling
- C. zone port distribution
- D. consolidation of LAN and SAN over a common transport
- E. native AES-256 encryption of data in flight

Correct Answer: BD

QUESTION 7

Which statement about EPGs is true?

- A. EPGs can both provide and consume a contract.
- B. EPGs can provide, but cannot consume, a contract
- C. EPGs can consume, but cannot provide, a contract
- D. EPGs neither provide or consume contracts

Correct Answer: B

Contracts define inbound and outbound permit, deny, and QoS rules and policies such as redirect. Contracts allow both simple and complex definition of the way that an EPG communicates with other EPGs, depending on the requirements of the environment. Although contracts are enforced between EPGs, they are connected to EPGs using provider-consumer relationships. Essentially, one EPG provides a contract, and other EPGs consume that contract. Reference: http://www.cisco.com/en/US/prod/collateral/netmgts/ps13004/ps13460/white-paper/c11-729906_ns1261_Networking_Solutions_White_Paper.html

QUESTION 8

Which statement about Cisco Nexus 1000V Series switches that operate inside VMware ESXi Hypervisors is true?

- A. A mobile virtual machine network policy is not provided.
- B. A disruptive operational model for your server virtualization and networking teams is provided.
- C. Mobile virtual machine security is not provided.
- D. Policy-based virtual machine connectivity is provided.

Correct Answer: D



QUESTION 9

A network engineer wants to configure switch ports on Cisco Nexus 2000 and 2200 Fabric Extender switches that are connected to a Cisco Nexus 5500 Series Switch.

Which two options allow this configuration? (Choose two)

- A. Connect to each of the Cisco Nexus 2200/2000 switches using Telnet, then configure the FEX switch ports.
- B. Connect to a Cisco Nexus 5600 using Telnet, then configure the FEX switch ports.
- C. Connect to each of the Cisco Nexus 2200/2000 switches using SSH, then configure the FEX switch ports.
- D. Connect to each at the Cisco Nexus 2200/2000 switches using a console cable then configure the FEX switch ports.
- E. Connect to a Cisco Nexus 5500 switch using SSH, then configure the FEX switch ports.

Correct Answer: BE

QUESTION 10

Which two statements accurately describe a Cisco UCS service profile? (Choose two.)

- A. LAN and SAN policies are inherited from the root profile.
- B. A service profile contains the policies that are required for a server.
- C. A service profile contains the operating system to be used by a logical server.
- D. A service profile contains the logical identity for a server.
- E. One compute node can have several profiles simultaneously.

Correct Answer: BC

QUESTION 11

The chargeback module in Cisco UCS Director provides insight into which costs?

- A. virtual infrastructure
- B. storage
- C. physical infrastructure
- D. network

Correct Answer: A



QUESTION 12

Which two statements about role-based access control on the Cisco Nexus 7000 switch are true? (Choose two.)

- A. The default user roles are network-admin, network-operator, vdc-admin, and vdc operator.
- B. User roles needed if RADIUS is used for AAA.
- C. No user roles are provided by default. It is however, best practice is to configure separate roles for admin and other users.
- D. Each user is assigned a unique role.
- E. User roles can be distributed to other switches using Cisco Fabric Services.

Correct Answer: AE

QUESTION 13

Which description of switch discovery on a Cisco APIC is true?

- A. Only leaf switches are discovered automatically.
- B. The APIC assigns an IP address to the switch from a pool
- C. A switch can be registered to multiple APIC clusters
- D. switch registers with the APIC automatically

Correct Answer: B

QUESTION 14

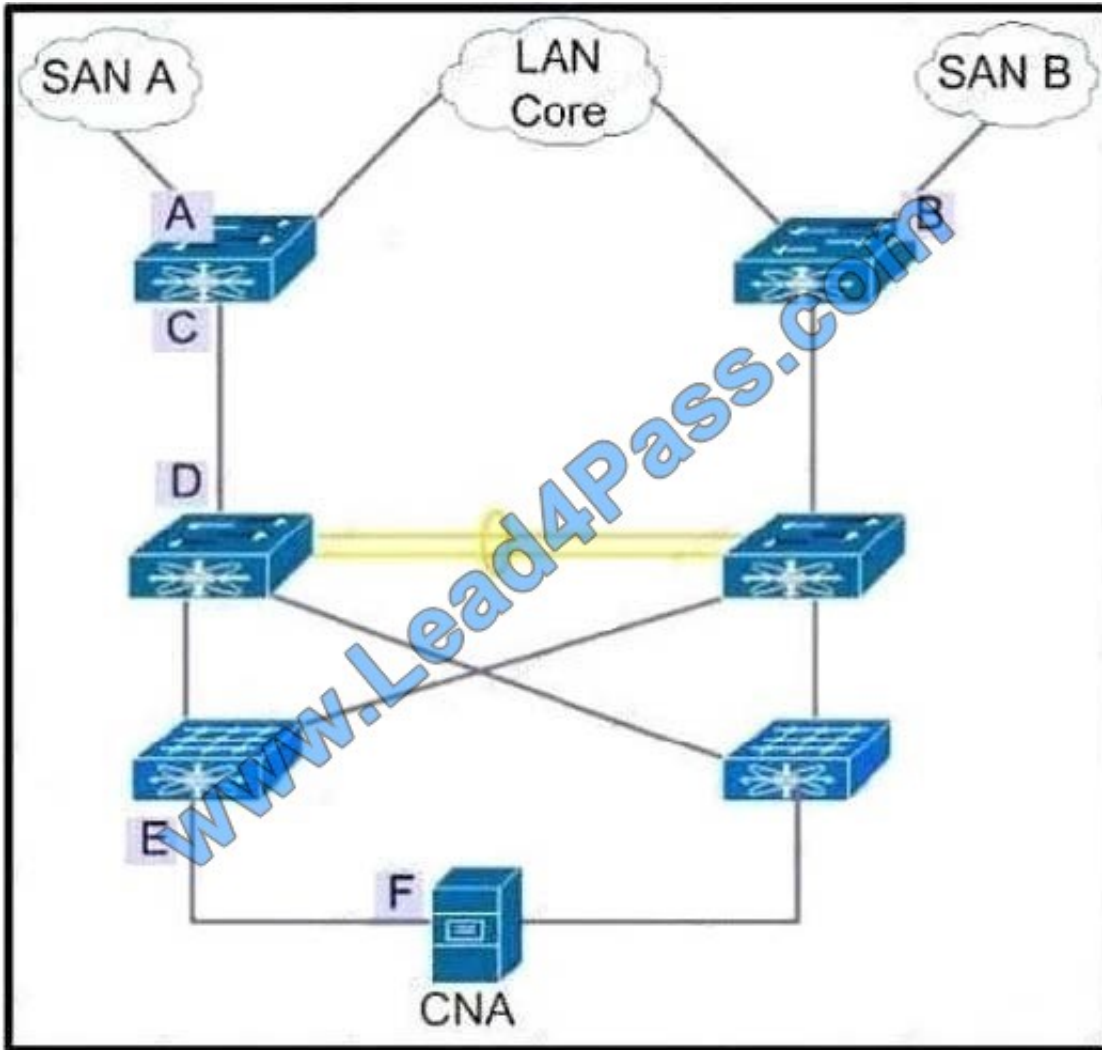
What are two benefits of Cisco FabricPath? (Choose two.)

- A. provides increased time to convergence
- B. increases availability with multipathing over all links
- C. uses spanning tree to eliminate switching loops
- D. provisions additional network bandwidth without affecting the network
- E. provides multivendor compatibility

Correct Answer: AD

QUESTION 15

Refer to the exhibit.



Which two ports are VE ports in this FCoE topology? (Choose two)

- A. Option
- B. Option C. Option
- D. Option
- E. Option
- F. Option

Correct Answer: CD

QUESTION 16

Which type of port is used to connect and communicate with a SAN storage device on a Cisco MDS switch?

- A. Fibre Channel



- B. QSFP
- C. serial
- D. Ethernet

Correct Answer: C

QUESTION 17

Which type of traffic is handled by the data plane?

- A. packets destined for the device
- B. control packets
- C. transit packets
- D. packets indirectly destined for the device

Correct Answer: A

QUESTION 18

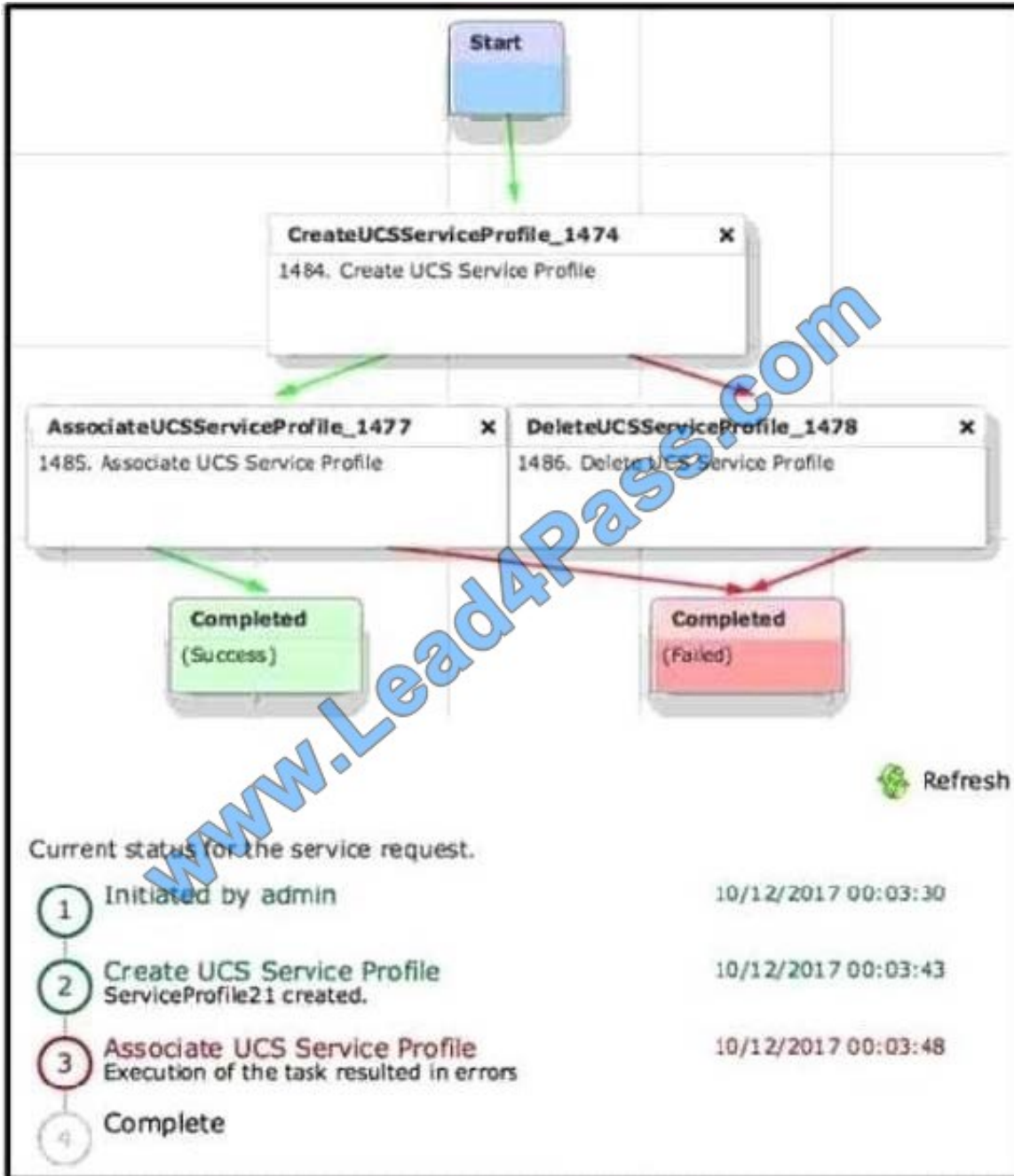
Which two benefits of implementing multiple VDCs on a physical switch are true? (Choose two.)

- A. It simplifies the STP design.
- B. allows a physical port to be shared among multiple virtual Ethernet switches.
- C. It allows multiple logical switches to be created by using a single physical switch.
- D. It allows each VDC to run a different version of Cisco NX-OS.
- E. Faults are isolated and contained within the specific VDC.

Correct Answer: BC

QUESTION 19

Refer to the exhibit.



Which description of the workflow is true?

- A. It attempts to associate the service profile to another blade
- B. It completes in a failed state
- C. It pauses while waiting for user input
- D. It deletes the service profile

Correct Answer: A



QUESTION 20

What is the purpose of Fibre Channel over Ethernet?

- A. FCoE maps native Fibre Channel onto Layer 2 Ethernet, Converging IP and storage networks.
- B. FCoE encapsulates native Fiber Channel traffic inside GRE tunnels.
- C. Data Center Bridging uses FCoE to transport IP traffic over native Fiber Channel.
- D. FCoE encapsulates native Fiber Channel inside IP packets.

Correct Answer: A

FCoE maps Fibre Channel onto Layer 2 Ethernet, allowing the combination of LAN and SAN traffic onto a link and enabling SAN users to take advantage of the economy of scale, robust vendor community and roadmap of Ethernet.

Reference:

https://www.cisco.com/en/US/solutions/collateral/ns340/ns517/ns224/ns945/ns1060/at_a_glance_c45-578384.pdf

QUESTION 21

FCoE interfaces are defined as which two port types? (Choose two)

- A. VZ Port
- B. VE Port
- C. VF Port
- D. VI Port
- E. VS Port

Correct Answer: BC

VF Port Beginning in Cisco NX-OS Release 5.0(2)N1(1), vFC interfaces always operate in trunk mode; vFC interfaces do not operate in any other mode. You can configure allowed VSANs on a vFC by using the switchport trunk allowed vsan

command under the vfc interface (which is similar to FC TF and TE ports). For vFC interfaces that are connected to hosts, port VSAN is the only VSAN that supports logins (FLOGI). We recommend that you restrict the allowed VSANs for

such vFC interfaces to the port VSAN by using the switchport trunk allowed vsan command in the interface mode to configure a VF port.

Cisco NX-OS Release 5.0(2)N1(1) includes support for 160 vFC interfaces. The vFC VSAN assignment and the global VLAN-to-VSAN mapping table enables the Cisco Nexus 5000 Series switch to choose the appropriate VLAN for a VF port.

The VF port support over 10G-FEX interfaces feature is supported only in Cisco Nexus 2000 Series Fabric Extender



straight-through topologies where each Fabric Extender is directly connected to a Cisco Nexus 5000 Series switch.

VE Ports A virtual E port (VE port) is a port that emulates an E port over a non-Fibre Channel link. VE port connectivity between Fibre Channel Forwarders (FCFs) is supported over point-to-point links. These links can be individual Ethernet

interfaces or members of an Ethernet port-channel interface. For each of the FCF connected Ethernet interfaces you must create and bind an vFC interface to the Ethernet interface. Configure vFC interfaces as VE ports by using the

switchport mode e command in interface mode.

VE ports have the following guidelines:

Auto mode on the vFC is not supported.

VE Port trunking is supported over FCoE-enabled VLANs. VE Port interface binding to MAC addresses is not supported.

By default the VE Port is enabled for trunk mode.

You can configure multiple VSANs on the VE port. You must configure the FCoE VLANs that correspond to the VE port's VSANs on the bound Ethernet interface. The Spanning Tree Protocol is disabled on the FCoE VLANs on any interface

that a vFC interface is bound to, which includes the interfaces that the VE ports are bound to.

Reference:

http://www.cisco.com/c/en/us/td/docs/switches/datacenter/nexus5000/sw/san_switching/502_n2_1/b_Cisco_n5k_nxos_sanswitching_config_guide_rel502_n2_1/Cisco_n5k_nxos_sanswitching_config_guide_rel502_n2_1_chapter3.html

QUESTION 22

Which two descriptions of a Cisco service profile are true? (Choose two)

- A. may contain server operating system
- B. may contain firmware version information
- C. may be used to define the storage and networking characteristics of multiple servers
- D. may contain IIUID MAC address for each virtual NIC, and WWN specifications for each HBA
- E. may contain VMware vSphere virtual machine definition

Correct Answer: CD

QUESTION 23

The ARC is responsible for which two processes? (Choose two)

- A. network policy configuration



- B. fabric segmentation
- C. BGP end-node emulation
- D. ISL blocking per STP implementation
- E. switch firmware management

Correct Answer: AD

QUESTION 24

Drag and drop the VPC components from the left onto the correct descriptions on the right. Not all options are used.

Select and Place:

virtual switch link	It contains interfaces that belong to a vPC
peer keepalive link	It synchronizes states between vPC peer devices.
member port	It includes the vPC peer devices, the peer keepalive link, and all the vPC.
domain	It monitors the vitality of a vPC peer switch.
peer link	

Correct Answer:

virtual switch link	member port
	peer link
	domain
	peer keepalive link



QUESTION 25

What essential characteristics of cloud computing does NIST define?

- A. low latency network
- B. measured billing
- C. standard architecture
- D. rapid elasticity

Correct Answer: D

QUESTION 26

Policies that are applied by the APIC are typically based on which type of infra structure?

- A. application-centric
- B. performance-specific
- C. leaf-specific
- D. network-centric

Correct Answer: A

The Cisco Application Policy Infrastructure Controller (APIC) is a key component of an Application Centric Infrastructure (ACI), which delivers a distributed, scalable, multi-tenant infrastructure with external end-point connectivity controlled and grouped via application centric policies. The APIC is the key architectural component that is the unified point of automation, management, monitoring and programmability for the Application Centric Infrastructure. The APIC supports the deployment, management and monitoring of any application anywhere, with a unified operations model for physical and virtual components of the infrastructure.

Reference: https://developer.cisco.com/media/apicDcPythonAPI_v0.1/understanding.html

QUESTION 27

What is an advantage of cloud computing?

- A. minimal downtime
- B. limited control C. vendor lock-in
- D. cost savings

Correct Answer: D

Reference:



<http://www.levelcloud.net/why-levelcloud/cloud-education-center/advantages-and-disadvantagesof-cloud-computing/>

QUESTION 28

Which feature monitors state transitions of components and processes in Cisco Unified Computing System?

- A. logical state arbiter
- B. discovery
- C. finite state machine
- D. state monitor

Correct Answer: C

A finite state machine (FSM) is a workflow model, similar to a flow chart, that is composed of the following:

Finite number of stages (states)

Transitions between those stages

Operations

The current stage in the FSM is determined by past stages and the operations performed to transition between the stages. A transition from one stage to another stage is dependent on the success or failure of an operation.

Cisco UCS Manager uses FSM tasks that run in the Data Management Engine (DME) to manage end points in the UCS object model, including the following:

Physical components (chassis, I/O module, servers)

Logical components (LAN cloud, policies)

Workflows (server discovery, service profile management, downloads, upgrades, backups)

Reference:

http://www.cisco.com/c/en/us/td/docs/unified_computing/ucs/ts/faults/reference/ErrMess/FaultsIntroduction.html#wp1082815

QUESTION 29

Which description of the APIC REST API is true?

- A. uses Java to access the Cisco ACI fabric
- B. allows administrators to programmatically configure objects
- C. uses SNMP for POST and GET
- D. allows administrators to retrieve configurations in the CSV format



Correct Answer: A

QUESTION 30

The number of vNICs and vHBAs that can be defined on virtual interface cards in the servers that are connected to FEX is dependent on what?

- A. the number of HBA cards
- B. the number of VSANs
- C. the number of uplinks
- D. the number of FEX devices

Correct Answer: D

[200-155 PDF Dumps](#)

[200-155 Study Guide](#)

[200-155 Exam Questions](#)



To Read the [Whole Q&As](#), please purchase the [Complete Version](#) from [Our website](#).

Try our product !

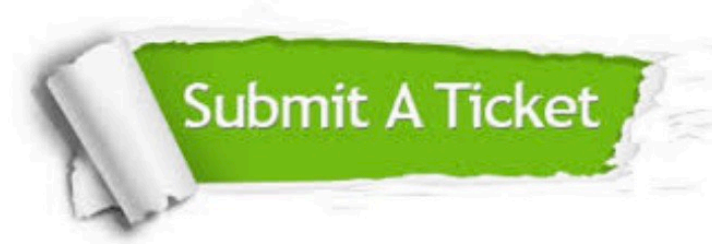
100% Guaranteed Success
100% Money Back Guarantee
365 Days Free Update
Instant Download After Purchase
24x7 Customer Support
Average 99.9% Success Rate
More than 800,000 Satisfied Customers Worldwide
Multi-Platform capabilities - [Windows](#), [Mac](#), [Android](#), [iPhone](#), [iPod](#), [iPad](#), [Kindle](#)

We provide exam PDF and VCE of Cisco, Microsoft, IBM, CompTIA, Oracle and other IT Certifications. You can view Vendor list of All Certification Exams offered:

<https://www.lead4pass.com/allproducts>

Need Help

Please provide as much detail as possible so we can best assist you.
To update a previously submitted ticket:



 <p>One Year Free Update Free update is available within One Year after your purchase. After One Year, you will get 50% discounts for updating. And we are proud to boast a 24/7 efficient Customer Support system via Email.</p>	 <p>Money Back Guarantee To ensure that you are spending on quality products, we provide 100% money back guarantee for 30 days from the date of purchase.</p>	 <p>Security & Privacy We respect customer privacy. We use McAfee's security service to provide you with utmost security for your personal information & peace of mind.</p>
---	---	--

Any charges made through this site will appear as Global Simulators Limited.
All trademarks are the property of their respective owners.
Copyright © lead4pass, All Rights Reserved.