



210-065^{Q&As}

Implementing Cisco Video Network Devices v1.0

Pass Cisco 210-065 Exam with 100% Guarantee

Free Download Real Questions & Answers **PDF** and **VCE** file from:

<https://www.lead4pass.com/210-065.html>

100% Passing Guarantee
100% Money Back Assurance

Following Questions and Answers are all new published by Cisco
Official Exam Center

-  **Instant Download** After Purchase
-  **100% Money Back** Guarantee
-  **365 Days** Free Update
-  **800,000+** Satisfied Customers





QUESTION 1

Which two issues does utilizing an IP network storage solution for IP video surveillance help overcome? (Choose two.)

- A. analog to IP conversion
- B. large, expandable storage space
- C. physical security
- D. scalability
- E. faster bit rate for storage

Correct Answer: BD

QUESTION 2

A customer wants a Cisco TelePresence MCU solution that supports up to 40 FullHD 1080p sessions. Which solution should the customer use?

- A. a stack of Cisco TelePresence MCU 5320s
- B. a stack of Cisco TelePresence MCU 4520s
- C. a Cisco TelePresence MSE 8000 with clustered Cisco TelePresence MCU MSE 8420s
- D. a Cisco TelePresence MSE 8000 with clustered Cisco TelePresence MCU MSE 8510s

Correct Answer: D

QUESTION 3

Which option is an immersive endpoint?

- A. Cisco TelePresence EX90
- B. Cisco TelePresence TX9000
- C. Cisco TelePresence SX10
- D. Cisco TelePresence DX70

Correct Answer: C

QUESTION 4

The user of a Cisco TelePresence MX300 wants to control the far-end camera of any video conference participant. Which control device and function is used to control the far-end camera?



- A. Navigate using the TRC5 Remote Control arrow keys.
- B. Tap on the image of one of the participants using touch control.
- C. Use the Touch Control Conference functions.
- D. Use the TRC5 Remote Control home key.

Correct Answer: B

QUESTION 5

Refer to the exhibit.



Which multipoint feature can be configured using the exhibit that was taken from the Cisco TelePresence Video Communications Server?

- A. Multisite
- B. Multiway
- C. both Multisite and Multiway
- D. Multiway conferences between devices that are registered only to the local Cisco TelePresence Video Communications Server
- E. Multisite conferences between Cisco Video Jabber for TelePresence devices only

Correct Answer: B

QUESTION 6

A user is unable to make a video call from an endpoint that is registered to the Cisco VCS. To isolate the cause, which two menu choices should the user check first? (Choose two.)



- A. Configuration > Call Policy
- B. Status > Registrations
- C. Status > Search History
- D. Status > System Information
- E. Configuration > Dial Plan > Search Rules
- F. Status > Event Log

Correct Answer: CF

QUESTION 7

A Cisco engineer needs to provide digital media for the lobby of a company. Which Cisco Digital Media component should the engineer use?

- A. Cisco Cast
- B. Cisco Digital Signs
- C. Cisco DMP
- D. Cisco Show and Share
- E. Cisco IP TV

Correct Answer: B

QUESTION 8

What is the main difference between a Cisco TelePresence Multipoint Control Unit and a Cisco TelePresence Multipoint Switch?

- A. The Cisco TelePresence Multipoint Control Unit is a hardware bridge. The Cisco TelePresence Multipoint Switch is a software bridge.
- B. The Cisco TelePresence Multipoint Control Unit is a software bridge for immersive and non-immersive endpoints.
- C. The Cisco TelePresence Multipoint Control Unit delivers automatic voice-activated switching. The Cisco TelePresence Multipoint Switch provides active presence.
- D. The Cisco TelePresence Multipoint Control Unit has a latency of less than 10 ms, whereas the Cisco TelePresence Multipoint Switch has a latency of 100 ms.
- E. The Cisco TelePresence Multipoint Switch is a hardware bridge for non-immersive endpoints.

Correct Answer: A



QUESTION 9

Which Cisco Video Surveillance product contains the Cisco Video Surveillance Encoding Server?

- A. Video Communications Server
- B. Cisco Video Surveillance Operations Manager
- C. Cisco Video Surveillance Media Server
- D. Cisco Video Surveillance Transcoding and Encoding Server
- E. Cisco Video Surveillance Virtual Matrix

Correct Answer: B

QUESTION 10

Your customer has an EX60 at a home-office that is doing direct H.323 dialing. When they place calls to remote sites, they report that they cannot see video or hear audio from the remote sites. What is most likely the cause of this issue?

- A. NAT mode is not configured on the EX60.
- B. The HDMI cable that connects the EX60 to the monitor is not plugged in.
- C. A username and password must be configured on the EX60.
- D. QoS is not properly configured on the EX60.

Correct Answer: A

QUESTION 11

A network administrator is asked to configure a video conference using the Cisco TelePresence MCU 5300. There is a requirement for participants to start with the same layout when joining the conference. How can this goal be accomplished?

- A. Layouts cannot be customized on the MCU 5300.
- B. Configure a custom layout for each user individually.
- C. Configure a custom layout and apply the layout to all new participants.
- D. Allow each endpoint to configure its own layout.

Correct Answer: C

QUESTION 12

What is the proper procedure to manually reset a password on a Cisco TelePresence EX Series endpoint running software version TC7?



- A. Use SSH to access the device and use the username "cisco" and the password "TANDBERG."
- B. Hold down the mute key on the touch display for 25 seconds and reset the password using the touch screen.
- C. When the device is powered down, hold down the power button until the power light blinks twice, then press the power button twice.
- D. Tap the power button four times within ten seconds and then use Telnet to connect to the device IP address.
- E. Tap the power button five times while the device is powered off and when it boots, use Telnet to connect to the device within 60 seconds.

Correct Answer: C

QUESTION 13

Which three features does a Cisco TelePresence Content Server provide that a Cisco MCU cannot? (Choose three.)

- A. conference bridge virtualization support
- B. multiple conference layouts
- C. resource optimization via conductor
- D. 720p resolution at 60 fps
- E. 1080p resolution at 60 fps
- F. multiscreen immersive room endpoint support

Correct Answer: ACF

QUESTION 14





Refer to the exhibit. An engineer is configuring a Cisco TelePresence Conductor with Cisco TelePresence Server version 4.0. The engineer wants to enable segment switching, to allow multiscreen endpoints to show only the screen that contains the loudest speaker of another multiscreen system.

Which menu option should the engineer use to enable this feature?

- A. Service Preferences
- B. Conference Templates
- C. Locations
- D. Conference Bridges

Correct Answer: A

QUESTION 15

In the web interface for a Cisco VCS or Expressway running X8.2, which page allows you to enable and download logs that include the xConfiguration, xStatus, DEBUG level network logs, and packet captures of both network interfaces?

- A. Maintenance > Diagnostics > Diagnostic Logging
- B. Maintenance > Diagnostics > System Snapshot
- C. Status > Logs > Event Log
- D. Status > Logs > Configuration Log

Correct Answer: A

QUESTION 16

Conference solution for video streaming: (Choose two)

- A. TCS
- B. VCS
- C. TMS
- D. TS
- E. MCU 4500

Correct Answer: AE

QUESTION 17



An end user is in Cisco TelePresence session with a remote participant and can control the camera at the remote endpoint. Which feature is underlying in this scenario?

- A. FEC
- B. DTMF
- C. FECC
- D. PIP

Correct Answer: C

QUESTION 18

Which protocol does the Cisco TelePresence Content Server use for call signaling?

- A. MGCP
- B. Cisco Proprietary
- C. SCCP
- D. H.323

Correct Answer: D

QUESTION 19

An engineer wants to stream Cisco TelePresence high-definition video to another location. The stream must be connected to an HDMI input on a display. Which two components, at minimum, are required to provide this functionality? (Choose two.)

- A. Cisco Media Experience Engine 3500
- B. Cisco TelePresence Content Server
- C. Cisco Digital Media Player
- D. Cisco Digital Media Manager
- E. Cisco TelePresence Server

Correct Answer: BC

QUESTION 20

What CLI command will enable access to the presentation device in the system?



- A. utils system presentation
- B. set system presentation
- C. set presentation system
- D. utils present enable

Correct Answer: A

QUESTION 21

Which CTS software-based endpoint is an ideal solution for an executive office?

- A. DX80
- B. EX90
- C. CTS 1100
- D. CTS 500

Correct Answer: A

QUESTION 22

A network engineer is installing a Cisco TelePresence MX200 with two microphones in a conference room. How far from each other do the microphones need to be installed?

- A. 1 m
- B. 2 m
- C. 3 m
- D. 4 m

Correct Answer: B

QUESTION 23

Which three features are supported by Cisco TMSPE? (Choose three.)

- A. Simplified provisioning
- B. LDAP user import
- C. Scheduling via Microsoft Outlook
- D. FindMe



- E. Jabber for Windows
- F. Automatic endpoint upgrades

Correct Answer: ABD

QUESTION 24

An engineer is connecting a VISCA cable. What is the purpose of this cable?

- A. to connect camera to codec
- B. to connect camera to monitor
- C. to connect camera to touch panel
- D. to connect camera to network

Correct Answer: A

QUESTION 25

Cisco TelePresence Immersive Endpoint devices support a feature that allows objects, documents, or PC applications to be presented in a plug-and-play fashion. What is this feature called?

- A. Cisco TelePresence Content Sharing
- B. Cisco TelePresence Auto Collaborate
- C. Cisco TelePresence Multichannel
- D. Cisco TelePresence Content Stream

Correct Answer: B

QUESTION 26

Refer to the exhibit.



Cisco TelePresence Video Communication Server Control

Status System VCS configuration Applications Maintenance

Registrations by device

Name	E.164	Type	Protocol
<input type="checkbox"/> 5002@osl147.local		SIP UA	SIP
<input type="checkbox"/> 5911@osl147.local		SIP UA	SIP
<input type="checkbox"/> 5912@osl147.local		SIP UA	SIP
<input type="checkbox"/> 5913@osl147.local		SIP UA	SIP
<input type="checkbox"/> 5914@osl147.local		SIP UA	SIP
<input type="checkbox"/> 5915@osl147.local		SIP UA	SIP
<input type="checkbox"/> 5916@osl147.local		SIP UA	SIP
<input type="checkbox"/> 5919@osl147.local		SIP UA	SIP
<input type="checkbox"/> 5921@osl147.local		SIP UA	SIP
<input type="checkbox"/> 5922@osl147.local		SIP UA	SIP
<input type="checkbox"/> 5923@osl147.local		SIP UA	SIP
<input type="checkbox"/> 5924@osl147.local		SIP UA	SIP
<input type="checkbox"/> 5925@osl147.local		SIP UA	SIP
<input type="checkbox"/> 5926@osl147.local		SIP UA	SIP
<input type="checkbox"/> 594@osl147.local		Gateway	H323
<input type="checkbox"/> 594@osl147.local		Gateway	H323
<input type="checkbox"/> C60 osl147 Instructor		Endpoint	H323
<input type="checkbox"/> mcu8510@osl147.local		SIP UA	SIP
<input type="checkbox"/> mcu8510@osl147.local	5919	MCU	H323
<input type="checkbox"/> multiway@osl147.local		SIP UA	SIP



You must dial the interactive response system of the multipoint control unit. What are the appropriate dual-tone multi-frequency digits to create an ad-hoc conference with an identifier of 2345?

- A. 2345
- B. 2345#
- C. 5919*2345
- D. 5919*2345#

Correct Answer: D

QUESTION 27



Which command captures network packets on the Ethernet interface on TX series endpoint from the CLI?

- A. utils network capture
- B. network mtr
- C. utils ntp config
- D. tcpdump

Correct Answer: A

QUESTION 28

Refer to the exhibit.



```

OK
xstatus call
*s Call 3 Status: Connected
*s Call 3 Direction: Outgoing
*s Call 3 Protocol: "h323"
*s Call 3 CallType: Video
*s Call 3 RemoteNumber: "5919*2345"
*s Call 3 CallbackNumber: "h323:5919*2345"
*s Call 3 DisplayName: "mcu4500"
*s Call 3 TransmitCallRate: 1152
*s Call 3 ReceiveCallRate: 1152
*s Call 3 Encryption Type: "None"
*s Call 3 PlacedOnHold: False
*s Call 3 Duration: 14
** end
  
```



Cisco TelePresence Video Communication Server Control

Status System VCS configuration Applications Maintenance

Registrations by device

Name	Ext	Type	Protocol
<input type="checkbox"/> 5002@osl147.local		SIP UA	SIP
<input type="checkbox"/> 5911@osl147.local		SIP UA	SIP
<input type="checkbox"/> 5912@osl147.local		SIP UA	SIP
<input type="checkbox"/> 5913@osl147.local		SIP UA	SIP
<input type="checkbox"/> 5914@osl147.local		SIP UA	SIP
<input type="checkbox"/> 5915@osl147.local		SIP UA	SIP
<input type="checkbox"/> 5916@osl147.local		SIP UA	SIP
<input type="checkbox"/> 5919@osl147.local		SIP UA	SIP
<input type="checkbox"/> 5921@osl147.local		SIP UA	SIP
<input type="checkbox"/> 5922@osl147.local		SIP UA	SIP
<input type="checkbox"/> 5923@osl147.local		SIP UA	SIP
<input type="checkbox"/> 5924@osl147.local		SIP UA	SIP
<input type="checkbox"/> 5925@osl147.local		SIP UA	SIP
<input type="checkbox"/> 5926@osl147.local		SIP UA	SIP
<input type="checkbox"/> 594@osl147.local		Gateway	H323
<input type="checkbox"/> 594@osl147.local		Gateway	H323
<input type="checkbox"/> C60 osl147 Instructor		Endpoint	H323
<input type="checkbox"/> mcu8510@osl147.local		SIP UA	SIP
<input type="checkbox"/> mcu8510@osl147.local	5919	MCU	H323
<input type="checkbox"/> multway@osl147.local		SIP UA	SIP

Unregister Select all Unselect all



The screenshots show outputs from the xStatus of a Cisco TelePresence endpoint and the VCS registrations. What are the protocol and direction of the call, the called party, and the transmit rate of the call?

- A. h.323, incoming, 5919*2345, 1152 Kb/s
- B. h.323, outgoing, 5919*2345, 1152 Kb/s
- C. h.323, incoming, 5919*2345, 768 Kb/s
- D. sip, incoming, 5919*2345, 768 Kb/s
- E. sip, outgoing, 5919*2345, 768 Kb/s

Correct Answer: B

QUESTION 29

Which description of medianet is true?

- A. A set of protocols that accelerate the delivery of media across the network
- B. A family of switches and routers that support multimedia applications
- C. When the network works together with the endpoints to scale, optimize, and enhance the performance of collaboration components
- D. A capability of the network to enhance video streaming quality
- E. A Cisco proprietary feature that is built on hardware DSP resources

Correct Answer: C

QUESTION 30

Which option is an immersive endpoint?

- A. Cisco TelePresence EX90
- B. Cisco TelePresence TX9000
- C. Cisco TelePresence SX10
- D. Cisco TelePresence DX70

Correct Answer: C

QUESTION 31

Refer to the exhibit.



Management would like to find out when a particular multipoint control unit feature was enabled and who enabled it. Which menu option is the most appropriate when searching for that information?

- A. Event Display Filter
- B. Audit Log
- C. Event Log
- D. Syslog

Correct Answer: B

QUESTION 32

When placing a Multiway call through a Cisco TelePresence Conductor, which IP address on the Conductor should the call be routed to?

- A. Rendezvous IP address
- B. Ad hoc IP address
- C. Scheduled conference IP address
- D. Management IP address

Correct Answer: A

QUESTION 33

An engineer is configuring mobile and remote access. Which three configuration tasks should the engineer perform? (Choose three.)

- A. Manually configure a Cisco Unified Communications Manager neighbor zone on the Cisco Expressway Core.
- B. Add the Cisco Unified Communications Manager root certificate to the Cisco Expressway Core CTL.
- C. Enable TLS verify mode for the traversal zone.
- D. Add the Cisco Unified Communications domain before enabling services on the Cisco Expressway Core.
- E. Enable H.323 on the Cisco Unified Communications Manager neighbor zone.
- F. Add the Cisco Expressway Edge root certificate to the Cisco Unified Communications Manager CTL.

Correct Answer: BCD



QUESTION 34

What is the process for resetting a Cisco VCS control appliance back to initial default configuration?

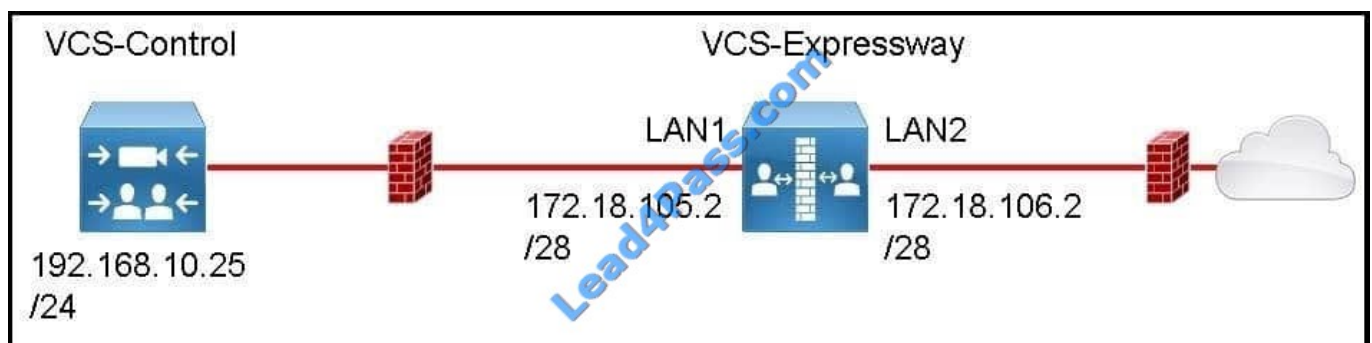
- A. Push down and hold the reset button on the back of the VCS appliance for 10 seconds and power cycle the device.
- B. Log onto the CLI console as root and initiate the defaults-reset command.
- C. Log into the GUI interface as administrator, choose System Settings, select Restore, select Factory Reset.
- D. Log onto the CLI console as root and initiate the factory-reset command.

Correct Answer: D

<https://www.cisco.com/c/dam/en/us/td/docs/telepresence/infrastructure/vcs/troubleshooting/RMA-Procedures-for-Cisco-VCS-and-TelePresence-Conductor-Appliances.pdf>

QUESTION 35

Refer to the exhibit.



You are deploying a Cisco VCS Expressway with the Advanced Networking option key into two separate DMZs. Gateways for all networks are the lowest usable IP address in the subnet. While you are logged in as an admin user, which command should you enter into the CLI, to enable IP routing to the Cisco VCS Control and nothing else on the internal network?

- A. xConfiguration IP Gateway: 172.18.105.1
- B. xConfiguration RouteAdd Address:192.168.10.25 PrefixLength:16 Gateway:172.18.105.1 Interface: LAN1
- C. xCommand RouteAdd Address:192.168.0.0 PrefixLength:16 Gateway: 172.18.105.1 Interface: LAN1
- D. xCommand RouteAdd Address:192.168.10.25 PrefixLength:32 Gateway: 172.18.105.1 Interface: LAN1

Correct Answer: D



QUESTION 36

A Cisco TelePresence Server is operating in locally managed mode. In which two ways can a Cisco EX60 user who is connected to a conference that is hosted on a Cisco TelePresence Server change the screen layout? (Choose two.)

- A. using the remote control
- B. using DTMF keys 2 and 8
- C. using FECC
- D. via the Cisco TelePresence server GUI

Correct Answer: BC

QUESTION 37

Which Cisco Video Surveillance product contains the Cisco Video Surveillance Encoding Server?

- A. Video Communications Server
- B. Cisco Video Surveillance Operations Manager
- C. Cisco Video Surveillance Media Server
- D. Cisco Video Surveillance Transcoding and Encoding Server
- E. Cisco Video Surveillance Virtual Matrix

Correct Answer: B

QUESTION 38

Management wants to modify Cisco TMS to allow users to configure the call behavior with their associated devices and dial from a single ID. Which feature needs to be enabled and configured?

- A. Smart Scheduler
- B. Low-touch Provisioning
- C. FindMe
- D. CMR Provisioning

Correct Answer: C

QUESTION 39

Which two methods can you use to update the configuration automatically using the persistent configuration settings for an endpoint using TMS? (Choose two.)



- A. Manually refresh the endpoint configuration for the Cisco TMS provisioning page.
- B. Cisco TMS can be scheduled to push a template to endpoints.
- C. User can edit the configuration manually for the endpoint from Cisco TMS.
- D. The endpoint can receive the persistent settings from Cisco TMS after each reboot.
- E. The endpoint can download the configuration via DHCP option 150.

Correct Answer: BD

QUESTION 40

Which option is the Cisco recommended layout if cascading is being used?

- A. Enhanced Continuous Presence
- B. Full Participant
- C. Continuous Presence
- D. Active Speaker

Correct Answer: C

[Latest 210-065 Dumps](#)

[210-065 Practice Test](#)

[210-065 Study Guide](#)



To Read the [Whole Q&As](#), please purchase the [Complete Version](#) from [Our website](#).

Try our product !

100% Guaranteed Success
100% Money Back Guarantee
365 Days Free Update
Instant Download After Purchase
24x7 Customer Support
Average 99.9% Success Rate
More than 800,000 Satisfied Customers Worldwide
Multi-Platform capabilities - [Windows](#), [Mac](#), [Android](#), [iPhone](#), [iPod](#), [iPad](#), [Kindle](#)

We provide exam PDF and VCE of Cisco, Microsoft, IBM, CompTIA, Oracle and other IT Certifications. You can view Vendor list of All Certification Exams offered:

<https://www.lead4pass.com/allproducts>

Need Help

Please provide as much detail as possible so we can best assist you.
To update a previously submitted ticket:



 <p>One Year Free Update Free update is available within One Year after your purchase. After One Year, you will get 50% discounts for updating. And we are proud to boast a 24/7 efficient Customer Support system via Email.</p>	 <p>Money Back Guarantee To ensure that you are spending on quality products, we provide 100% money back guarantee for 30 days from the date of purchase.</p>	 <p>Security & Privacy We respect customer privacy. We use McAfee's security service to provide you with utmost security for your personal information & peace of mind.</p>
---	---	--

Any charges made through this site will appear as Global Simulators Limited.
All trademarks are the property of their respective owners.
Copyright © lead4pass, All Rights Reserved.