

100% Money Back Guarantee

Vendor: Cisco

Exam Code: 300-175

Exam Name: DCUCI Implementing Cisco Data Center Unified Computing (DCUCI)

Version: Demo

QUESTION 1

Which component is unsupported by the UEFI boot device in the Cisco UCS C-series standalone?

- A. FlexFlash card
- B. RAID array
- C. FCoE
- D. iSCSI
- E. USB
- F. PXE
- G. PCI SSD

Correct Answer: G

QUESTION 2

Which technology makes VM-FEX possible?

- A. VXLAN
- B. VNTAG
- C. VPC
- D. DVS

Correct Answer: B

QUESTION 3

What is the maximum number of ports on a VMware vCenter Distributed Virtual Switch?

- A. 64
- B. 128
- C. 1024
- D. 4096
- E. 8192

Correct Answer: D

QUESTION 4

Which option lists the features that are needed to install VMware ESXi on a local drive from an image file?

- A. Virtual Media and VMFS
- B. Virtual Media and Virtual KVM
- C. Virtual Boot and VMFS
- D. Virtual KVM and Virtual Boot

Correct Answer: B

QUESTION 5

Scenario

In this scenario, you will refer to screenshots about Cisco UCS B-Series servers and UCS Manager.

Instructions

To access the multiple-choice questions, click on the numbered boxes on the left of the top panel.

There are four multiple-choice questions with this task.

Be sure to answer all four questions before selecting the Next button.

DCUCI 5.0 Lab Topology—Backbone

Legend:

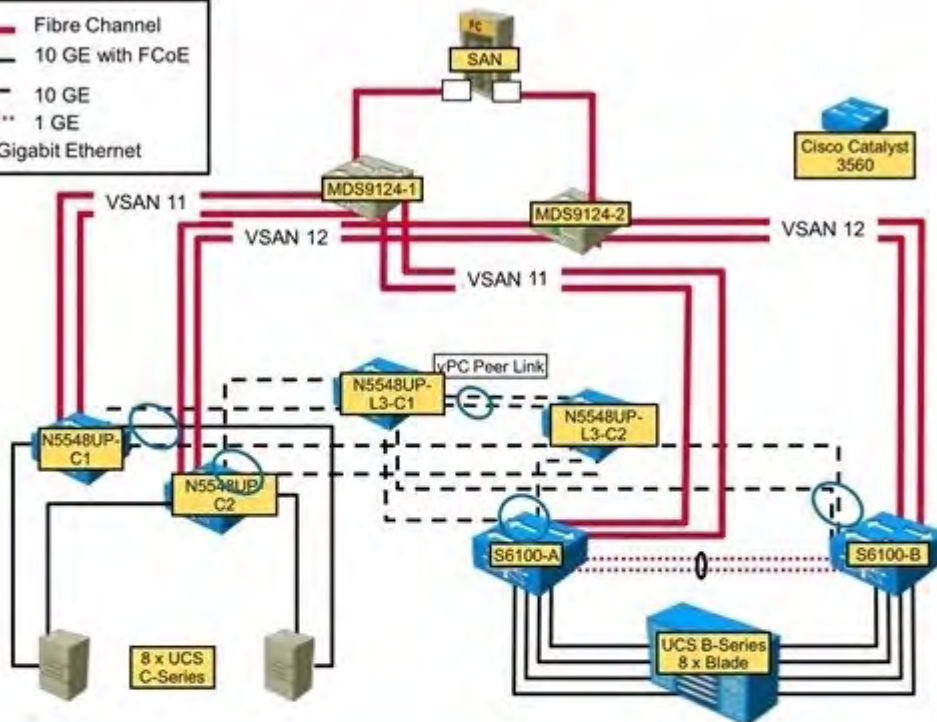
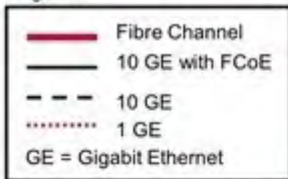
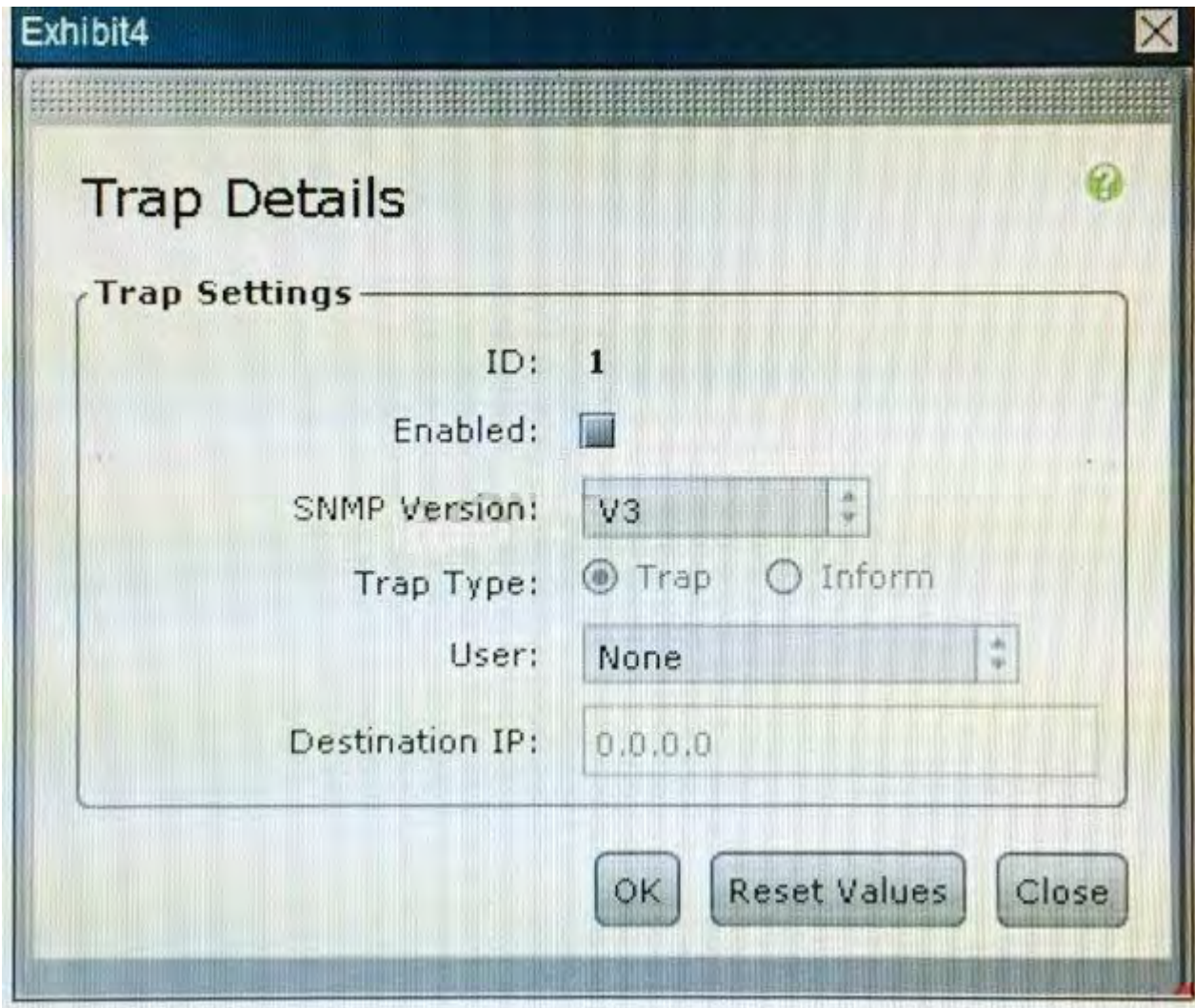
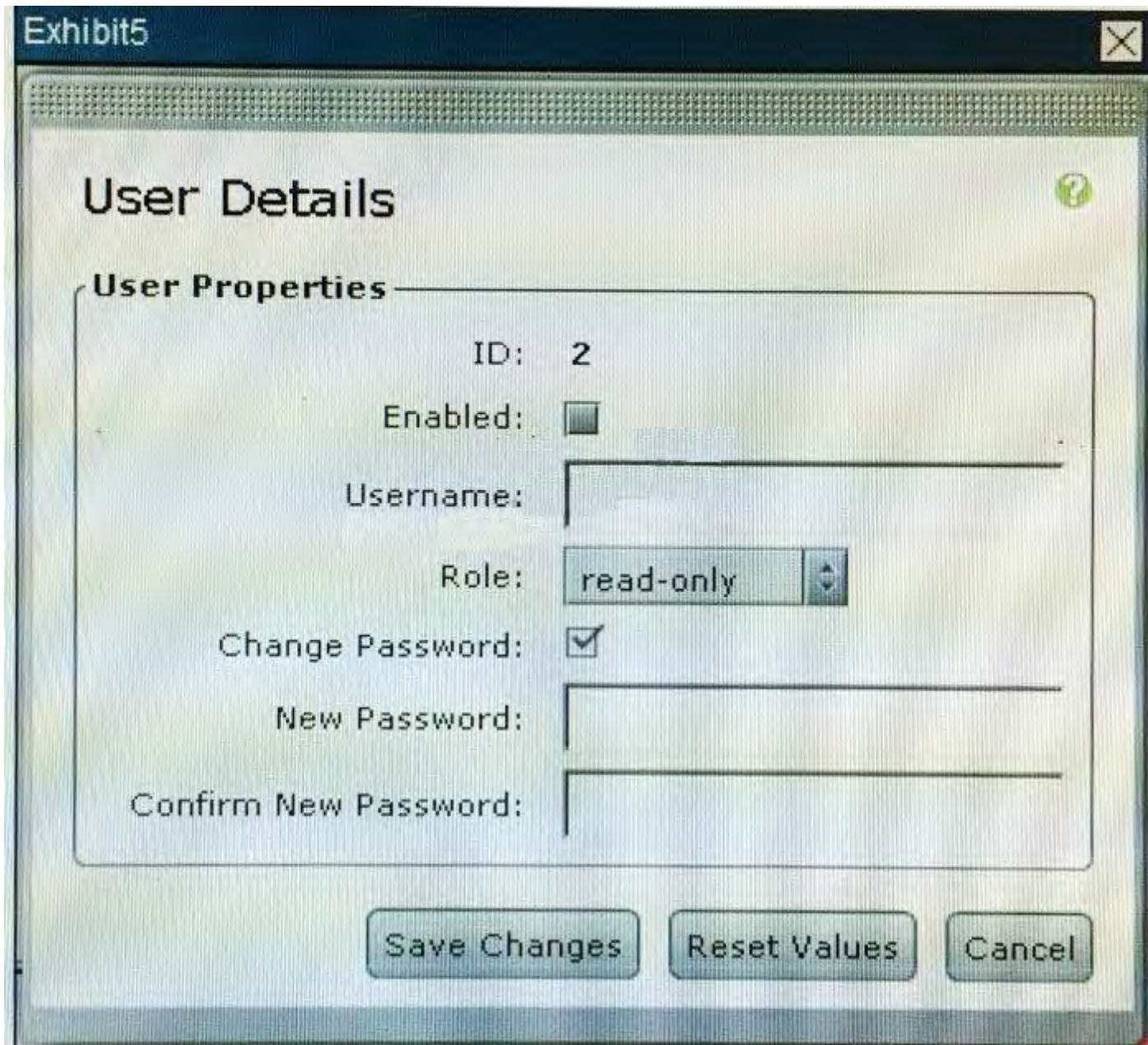


Exhibit2

Boot Order	Actual Boot Order
<p>Configured Boot Order</p> <div style="border: 1px solid gray; height: 100px; width: 100%;"></div>	<ul style="list-style-type: none"> <input type="checkbox"/> IBA GE Slot 0200 v1553 (NonPolicyTarget) <input type="checkbox"/> IBA GE Slot 0201 v1553 (NonPolicyTarget) <input type="checkbox"/> IBA GE Slot 0202 v1553 (NonPolicyTarget) <input type="checkbox"/> IBA GE Slot 0203 v1553 (NonPolicyTarget) <input checked="" type="checkbox"/> UEFI: Built-in EFI Shell (NonPolicyTarget) <input type="checkbox"/> (Bus 81 Dev 00)PCI RAID Adapter (NonPolicyTarget)





Refer to the screenshot in Exhibit 5. Which of the following user roles allows the permission Clear

All Logs?

- A. read-only
- B. user
- C. operator
- D. system

Correct Answer: C

QUESTION 6

Which destination(s) are valid for syslog messages for a Cisco UCS Fabric Interconnect?

- A. a file and monitor only
- B. the log, the monitor and syslog queue
- C. the console
- D. the console and log only

- E. a file
- F. the console, the monitor, and a file

Correct Answer: F

QUESTION 7

Which two statements about Cisco VM-FEX dynamic vNIC configuration and provisioning by using the Cisco UCS Manager are true? (Choose two.)

- A. Dynamic vNIC parameters are configured by using SNMP.
- B. Dynamic vNIC parameters must be configured manually before the virtual machine connects to its port group.
- C. Dynamic vNIC parameters are configured dynamically after the assigned virtual machine connects to the port group.
- D. Dynamic vNIC parameters are enabled by using the Fibre Channel Forwarder protocol.
- E. Dynamic vNIC parameters are configured by inheriting the port-group parameters of the associated virtual machines.

Correct Answer: CD

QUESTION 8

Which three items represent message formats that are available to send fault data using Cisco Call Home? (Choose three.)

- A. short text
- B. long text
- C. HTML
- D. SOAP API
- E. XML
- F. Java

Correct Answer: ABE

QUESTION 9

Which two protocols does the Cisco Integrated Management Controller support for managing standalone Cisco UCS -Series servers? (Choose two.)

- A. SoL
- B. IPMI
- C. IPMIv2
- D. SMASH CLP
- E. SNMPv3

Correct Answer: CE

QUESTION 10

Which three statements about default settings for fabric interconnect uplink ports are true? (Choose three.)

- A. When a VLAN is configured, it is trunked on all uplinks.
- B. Specific VLANs are trunked on specific uplinks.
- C. UDLD is enabled.
- D. UDLD is disabled.
- E. Cisco Discovery Protocol is enabled.
- F. Cisco Discovery Protocol is disabled.
- G. They connect to the I/O modules.

Correct Answer: ADE

QUESTION 11

Which authentication provider requires a custom attribute?

- A. TACACS+
- B. RADIUS
- C. LDAP
- D. local authentication

Correct Answer: A

QUESTION 12

Which Cisco UCS firmware are contained in the Cisco UCS Infrastructure software bundle? (Choose three.)

- A. Cisco UCS BIOS
- B. Cisco UCS fabric interconnects firmware
- C. Cisco UCS adapters
- D. Cisco UCS Manager
- E. Cisco I/O module firmware
- F. Cisco IMC

Correct Answer: BDE

QUESTION 13

Which options are valid port types when configuring fixed 10-Gb LAN interfaces on the Cisco UCS 6200 Series Fabric Interconnects? (Choose three.)

- A. monitoring port
- B. server port
- C. uplink Ethernet port
- D. FEX port
- E. Fibre Channel storage port

Correct Answer: ABC

QUESTION 14

Which slot(s) contain DIMMs in a 1DPC configuration on Cisco UCS blade server?

- A. 0
- B. 1 and 2 only.
- C. 1
- D. 2

Correct Answer: C

QUESTION 15

You plan to use AAA security services for a Cisco UCS Fabric Interconnect. Which two authentication providers can you use? (Choose two.)

- A. Kerberos
- B. RADIUS
- C. NTLM
- D. Diameter
- E. LDAP

Correct Answer: BE

QUESTION 16

When implementing a Cisco UCS C-series standalone server, which of the following Cisco Integrated Management Controller NIC modes allow use of the least number of physical ports while providing maximum levels of redundancy?

- A. dedicated
- B. shared LOM
- C. shared LOM 10G
- D. Cisco VIC

Correct Answer: D

QUESTION 17

Which three items are supported operating systems of the Cisco VM-FEX universal passthrough? (Choose three.)

- A. Oracle Solaris 11
- B. Red Hat Enterprise Linux 6.0
- C. Microsoft Windows Server 2003 SP3
- D. Microsoft Windows Server 2008
- E. Ubuntu Server 12.2
- F. SLES 11

Correct Answer: BDF

QUESTION 18

Which scheduling option sets the number of tasks that can be run?

- A. max number of concurrent tasks
- B. max changes
- C. max number of tasks
- D. max configuration requests

Correct Answer: C

QUESTION 19

When upgrading a standalone Cisco UCS C-Series server, which method is correct?

- A. direct upgrade on all components
- B. Cisco Hardware Upgrade Utility
- C. Cisco Host Upgrade Utility
- D. Cisco Server Upgrade Utility

Correct Answer: C

To Read the [Whole Q&As](#), please purchase the [Complete Version](#) from [Our website](#).

Trying our product !


- ★ **100%** Guaranteed Success
- ★ **100%** Money Back Guarantee
- ★ **365 Days** Free Update
- ★ **Instant Download** After Purchase
- ★ **24x7** Customer Support
- ★ Average **99.9%** Success Rate
- ★ More than **69,000** Satisfied Customers Worldwide
- ★ Multi-Platform capabilities - **Windows, Mac, Android, iPhone, iPod, iPad, Kindle**

Need Help

Please provide as much detail as possible so we can best assist you.

To update a previously submitted ticket:



 One Year Free Update <p>Free update is available within One Year after your purchase. After One Year, you will get 50% discounts for updating. And we are proud to boast a 24/7 efficient Customer Support system via Email.</p>	 Money Back Guarantee <p>To ensure that you are spending on quality products, we provide 100% money back guarantee for 30 days from the date of purchase.</p>	 Security & Privacy <p>We respect customer privacy. We use McAfee's security service to provide you with utmost security for your personal information & peace of mind.</p>
---	---	--

Guarantee & Policy | Privacy & Policy | Terms & Conditions

Any charges made through this site will appear as Global Simulators Limited.

All trademarks are the property of their respective owners.