



642-999^{Q&As}

Implementing Cisco Data Center Unified Computing

Pass Cisco 642-999 Exam with 100% Guarantee

Free Download Real Questions & Answers **PDF** and **VCE** file from:

<https://www.lead4pass.com/642-999.html>

100% Passing Guarantee
100% Money Back Assurance

Following Questions and Answers are all new published by Cisco
Official Exam Center

-  **Instant Download** After Purchase
-  **100% Money Back** Guarantee
-  **365 Days** Free Update
-  **800,000+** Satisfied Customers





QUESTION 1

Which BIOS setting is required for a VMware ESXi 5.0 host to support Cisco VM-FEX universal passthrough mode?

- A. VT for Directed IO
- B. ACPI 10 Support
- C. VEMDPA Agent
- D. Execute Disabled Bit
- E. Processor C State

Correct Answer: A

QUESTION 2

Which option does UEFI secure boot provide?

- A. checksum verification of the EFI shell
- B. certificate verification of the EFI shell
- C. checksum verification of the OS
- D. certificate verification of the OS

Correct Answer: D

QUESTION 3

Which two descriptions of a WWN pool are true? (Choose two.)

- A. a collection of WWNs for use by the iSCSI interfaces in a Cisco UCS instance
- B. a collection of Ethernet MAC addresses assigned to the Ethernet adapters in a Cisco UCS instance
- C. a pool of WW port names, where WWPN is the port name assigned to the Fibre Channel port on the adapter
- D. a collection of management IP addresses used to connect to servers
- E. a pool of WW node names, where WWNN belongs to the node

Correct Answer: CE

Reference:

http://www.cisco.com/c/en/us/td/docs/unified_computing/ucs/sw/gui/config/guide/1-31/b_UCSM_GUI_Configuration_Guide_1_3_1/UCSM_GUI_Configuration_Guide_1_3_1_chapter2



2.html

QUESTION 4

Scenario

In this scenario, you will refer to screenshots about Cisco UCS B-Series servers and UCS Manager.

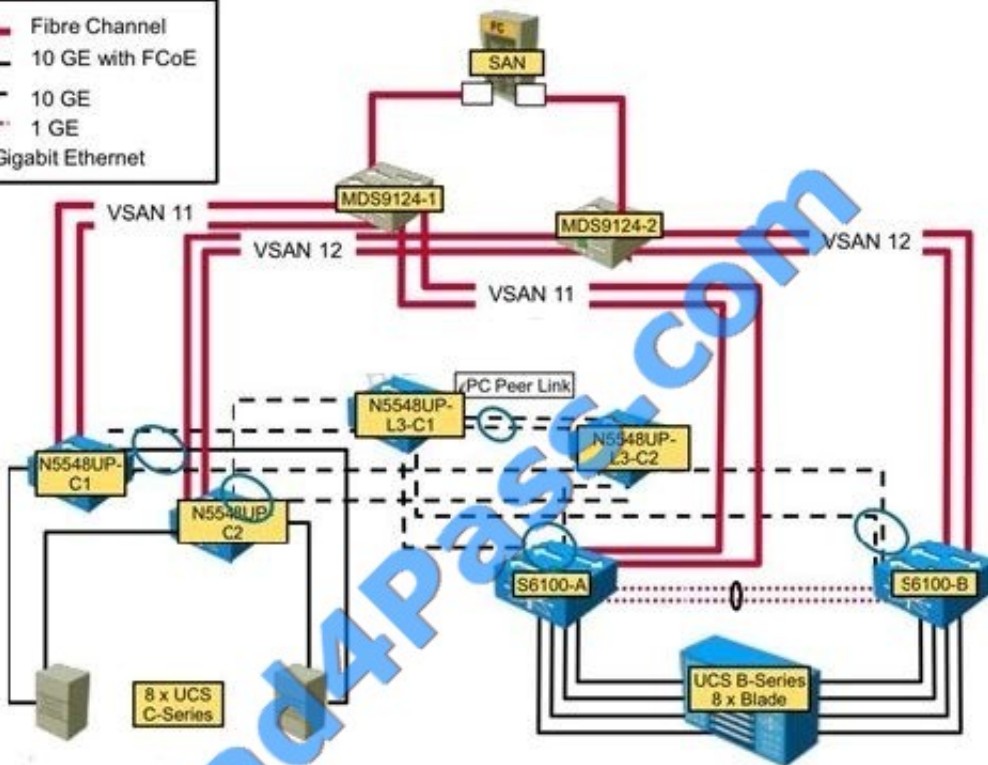
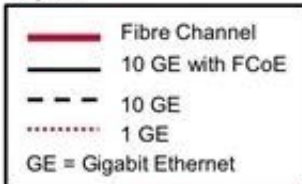
Instructions

To access the multiple-choice questions, click on the numbered boxes on the left of the top panel.

There are four multiple-choice questions with this task.

Be sure to answer all four questions before selecting the Next button.

Legend:



```
Exhibit2
interface Vethernet749
description server 1/1, VNIC vNIC0
switchport mode trunk
untagged cos 4
no pinning server sticky
pinning server pinning-failure link-dc
```



Which log would you view to determine which UCS Manager user modified a Service Profile?

- A. Events
- B. Audit
- C. Syslog
- D. SEL

Correct Answer: D

Reference:

http://www.cisco.com/c/en/us/td/docs/unified_computing/ucs/sw/gui/config/guide/20/b_UCSM_GUI_Configuration_Guide_2_0/b_UCSM_GUI_Configuration_Guide_2_0_chapter_01

01101.html

QUESTION 5

Which three options are needed when configuring local zoning on the Cisco UCS Fabric Interconnects? (Choose three.)



- A. The fabric interconnects are operating in FC switching mode.
- B. The fabric interconnects are operating in FC end-host mode.
- C. SAN connectivity policy
- D. storage connection policy
- E. FC target endpoints
- F. iSCSI target endpoints

Correct Answer: ADE

QUESTION 6

After an admin configures a service profile template and associates it to the blade, the admin notices that changes to the template are not automatically pushed to profiles that are inheriting that template. The service profile template and vNIC templates are set to "initial". Which two actions resolve this issue? (Choose two.)

- A. Delete the service profile template and re-create it as an updating template.
- B. Change the type of the service profile template from "initial" to "updating".
- C. Delete the vNIC template and re-create it as an updating template.
- D. Change the type of the vNIC template from "initial" to "updating".
- E. Delete and recreate all templates.

Correct Answer: AD

QUESTION 7

Which component is unsupported by the UEFI boot device in the Cisco UCS C-series standalone?

- A. FlexFlash card
- B. RAID array
- C. FCoE
- D. iSCSI
- E. USB
- F. PXE
- G. PCI SSD

Correct Answer: G



QUESTION 8

Which technology makes VM-FEX possible?

- A. VXLAN
- B. VNTAG
- C. VPC
- D. DVS

Correct Answer: B

QUESTION 9

Which consideration must be made while utilizing the UEFI boot mode?

- A. Legacy boot modes cannot be used on the same server.
- B. This mode applies only to models before the M3.
- C. The service profile cannot be disassociated without decommissioning the blade.
- D. This mode replaces the UEFI shell typically available as a boot fallback.

Correct Answer: A

QUESTION 10

Which three items represent message formats that are available to send fault data using Cisco Call Home? (Choose three.)

- A. short text
- B. long text
- C. HTML
- D. SOAP API
- E. XML
- F. Java

Correct Answer: ABE

QUESTION 11

While configuring VM-FEX for Hyper-V, the virtual switch does not show up when you add the host with the port-profile management snap-in. Which statement describes the most likely cause?



- A. SR-IOV is not enabled for the virtual switch inside Hyper-V.
- B. Cisco Nexus 1000v is not enabled for the virtual switch.
- C. Hyper-V requires Cisco UCS Manager to utilize Cisco Discovery Protocol on the vNIC profile.
- D. An active VM is not associated with the port profile.
- E. VM-FEX does not work with Hyper-V.
- F. VM-FEX has been configured on the Catalyst switch but not in System Center yet.

Correct Answer: A

QUESTION 12

Which two are true with respect to the unified ports on the Cisco Unified Computing System 62XX Fabric Interconnect? (Choose two.)

- A. The port mode is automatically discovered after plugging in a LAN or Fibre Channel- attached cable.
- B. By default, unified ports that are changed to Ethernet port mode are set to uplink Ethernet port type.
- C. Ethernet ports must be grouped together in a block and must start with the first port and end with an odd numbered port.
- D. Alternating Ethernet and Fibre Channel ports is supported on the expansion module.
- E. After making port mode changes on an expansion module, the module will reboot.
- F. In a standalone configuration, making port mode changes to the fixed module will not cause the fabric interconnect to reboot.

Correct Answer: CE

QUESTION 13

You have a Cisco UCS B200 M2 server configured with 12 4-GB DDR3 1333-MHz dual- voltage memory DIMMs. You learned that the server memory speed is running at 1066 MHz instead. How can you configure the server to run at maximum memory speed?

- A. You cannot configure memory speed of 1333 MHz. The maximum memory speed of a Cisco UCS B200 M2 server with 12 4-GB DIMM is 1066 MHz.
- B. Memory speed of the ESX host is configurable on VMware vCenter.
- C. Create a BIOS policy. In the RAS Memory BIOS settings, select Performance Mode for LV DDR Mode.
- D. On the CIMC of the Cisco UCS B200 M2, select 1333 MHz in the Memory Speed option.

Correct Answer: C



QUESTION 14

Which port type mode must be used on a Cisco UCS Manager for a SPAN port?

- A. eth-traffic-mon
- B. eth-uplink
- C. eth-server
- D. eth-storage

Correct Answer: A

QUESTION 15

Which statement about Cisco Integrated Management Controller secure mode is true?

- A. After you enable it, you cannot disable it.
- B. After you enable it, you cannot downgrade the Cisco Integrated Management Controller firmware.
- C. It verifies the OS before allowing it to boot.
- D. The server must reboot to apply.

Correct Answer: A

QUESTION 16

Which two constructs allow for configuration of VLANs on specific uplink ports? (Choose two.)

- A. LAN pin group
- B. adapter policies
- C. vNIC templates
- D. VLAN manager
- E. link profiles
- F. VLAN groups

Correct Answer: AC

Reference: http://www.cisco.com/c/en/us/td/docs/unified_computing/ucs/sw/gui/config/guide/1-0

[2/b_GUI_Config_Guide/GUI_Config_Guide_chapter17.html](http://www.cisco.com/c/en/us/td/docs/unified_computing/ucs/sw/gui/config/guide/1-0/2/b_GUI_Config_Guide/GUI_Config_Guide_chapter17.html)

http://www.cisco.com/c/en/us/td/docs/unified_computing/ucs/sw/gui/config/guide/1-0

[2/b_GUI_Config_Guide/GUI_Config_Guide_chapter14.html](http://www.cisco.com/c/en/us/td/docs/unified_computing/ucs/sw/gui/config/guide/1-0/2/b_GUI_Config_Guide/GUI_Config_Guide_chapter14.html)



QUESTION 17

What is the maximum number of ports on a VMware vCenter Distributed Virtual Switch?

- A. 64
- B. 128
- C. 1024
- D. 4096
- E. 8192

Correct Answer: D

QUESTION 18

In the Create Dynamic vNIC Connection Policy dialog box, there is a configurable field titled Protection. What is the significance of the three choices for Protection?

- A. allows reserve vNICs to be allocated out of the spares pool
- B. enables hardware-based failover
- C. enables static binding of the VM port profile to dynamic vNICs
- D. selects the primary fabric association for dynamic vNICs
- E. allows dynamic vNICs to be reserved for fabric failover

Correct Answer: D

QUESTION 19

Which statement about Adapter FEX is true?

- A. Adapter FEX extends the fabric into the server.
- B. Adapter FEX extends the fabric into the hypervisor.
- C. Adapter FEX extends the fabric down to the FEX port.
- D. Adapter FEX extends the fabric down to the VM.

Correct Answer: A

QUESTION 20



Which two of the listed BIOS options are required for VM-FEX in high performance mode? (Choose two.)

- A. RSS
- B. interrupt coherency
- C. virtualization technology
- D. cache validation
- E. ATS support

Correct Answer: CE

QUESTION 21

You must upgrade a Cisco UCS -Series Server. Where must the Cisco UCS bundle image be located before you can begin the upgrade?

- A. the Cisco Integrated Management Controller memory of the server
- B. a USB drive connected to a Cisco UCS Fabric Interconnect
- C. a TFTP server accessible to the Cisco UCS Fabric Interconnect
- D. the flash file system of the fabric interconnect

Correct Answer: C

Reference: http://www.cisco.com/c/en/us/td/docs/unified_computing/ucs/sw/firmware-mgmt/gui/21/b_GUI_Firmware_Management_21/downloading_and_managing_firmware_in_cisco_ucs_manager.html#concept_1923688E7A2E46239DCAE363E4A3DE81

QUESTION 22

Your systems engineer has determined all of the firmware versions that the server operating system supports. What steps are taken on Cisco UCS to avoid manual firmware upgrades on the blade servers?

- A. Use Cisco UCS Manager firmware management to upgrade all Cisco UCS blade servers to the same target firmware versions.
- B. Configure host firmware package and management firmware package policies and associate the firmware policies with the service profiles.
- C. Create a BIOS policy and define the host firmware package and management firmware package.
- D. Configure host firmware package and management firmware package policies and associate the firmware policies with the server pools.

Correct Answer: B



QUESTION 23

Which two statements about Cisco VM-FEX dynamic vNIC configuration and provisioning by using the Cisco UCS Manager are true? (Choose two.)

- A. Dynamic vNIC parameters are configured by using SNMP.
- B. Dynamic vNIC parameters must be configured manually before the virtual machine connects to its port group.
- C. Dynamic vNIC parameters are configured dynamically after the assigned virtual machine connects to the port group.
- D. Dynamic vNIC parameters are enabled by using the Fibre Channel Forwarder protocol.
- E. Dynamic vNIC parameters are configured by inheriting the port-group parameters of the associated virtual machines.

Correct Answer: CD

Reference:

http://www.cisco.com/en/US/docs/switches/datacenter/nexus5000/sw/mkt_ops_guides/513_n1_1/n5k_ops_vmfex.pdf

QUESTION 24

Which of the following is the most accurate concerning the link configuration between Cisco Unified Computing System 22XX I/O modules and Cisco Unified Computing System 62XX Fabric Interconnects?

- A. Port channels are always recommended when using source-dest-mac load balancing.
- B. The addition of links to a port channel requires a reacknowledgement.
- C. You cannot mix and match discrete links and port channeling for different chassis when using 22XX.
- D. Port channels do not require a Global Chassis Discovery policy.

Correct Answer: A

QUESTION 25

Which two items can you provision in a vHBA Template? (Choose two.)

- A. Max Data Field Size
- B. SCSI I/O Queues
- C. FCoE VLAN
- D. vHBA Interrupt Mode
- E. Stats Threshold Policy
- F. FLOGI Timeout

Correct Answer: AE



QUESTION 26

After staging a VEM file on a VMware ESXi 5.0 host in the /tmp directory, what is the correct command syntax to install the VEM?

A. esxcli software vib install

Correct Answer: A

QUESTION 27

Which policy determines what happens to local disks when they are disassociated from a service profile?

A. maintenance policy

B. local disk policy

C. scrub policy

D. BIOS policy

Correct Answer: C

QUESTION 28

Scenario

In this scenario, you will refer to screenshots about Cisco UCS B-Series servers and UCS Manager.

Instructions

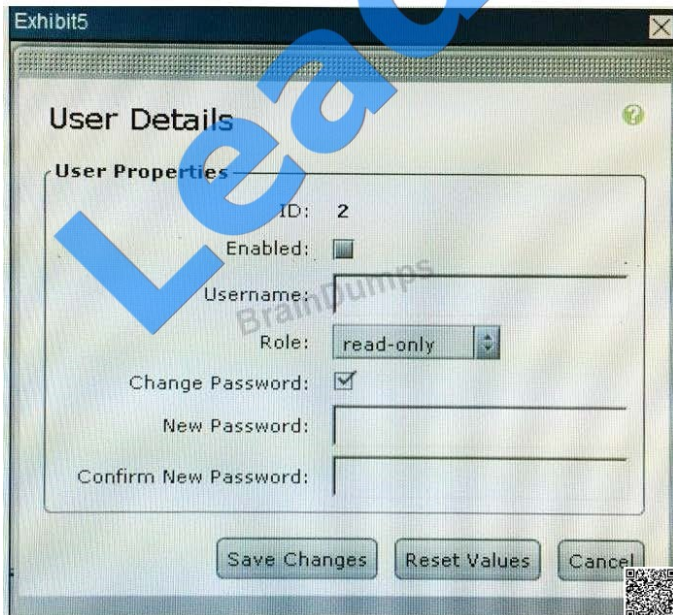
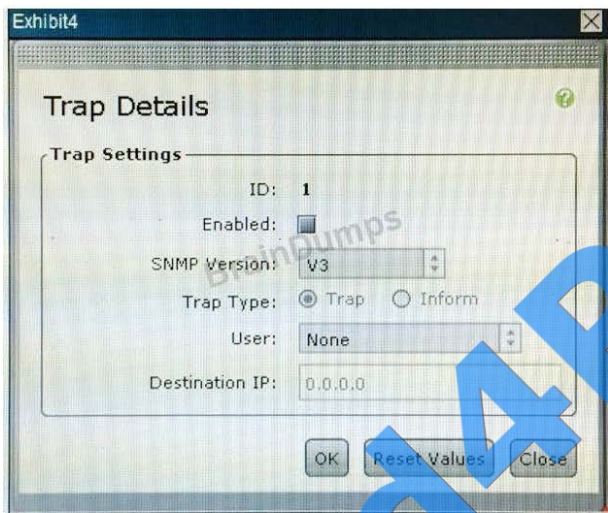
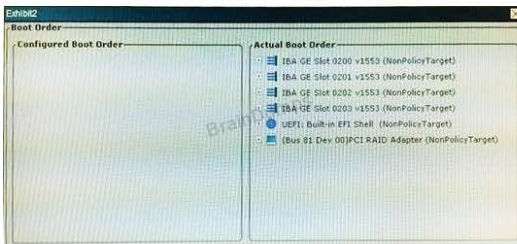
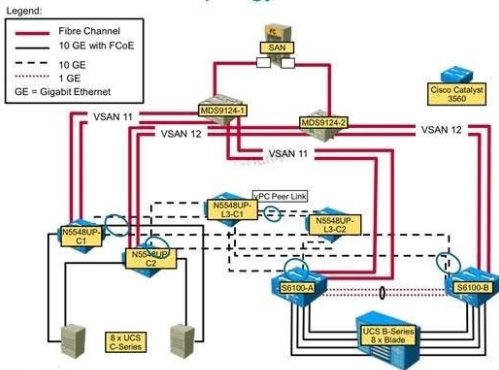
To access the multiple-choice questions, click on the numbered boxes on the left of the top panel.

There are four multiple-choice questions with this task.

Be sure to answer all four questions before selecting the Next button.



DCUCI 5.0 Lab Topology—Backbone





Refer to the screenshot in Exhibit 2. Which item is true about Boot Order in Cisco UCS - Series Rack Servers?

- A. Boot order configured in the BIOS will not be reflected in the Cisco IMC GUI.
- B. Boot options should not be disabled in the BIOS.
- C. The Boot Order set in the BIOS does not override the Cisco IMC.
- D. Boot Order should only be configured in the Cisco IMC GUI.

Correct Answer: A

QUESTION 29

Which two policies can be configured in a port profile for VM-FEX high-performance mode? (Choose two.)

- A. QoS policy
- B. network control policy
- C. adapter policy
- D. BIOS policy
- E. vNIC connection policy

Correct Answer: AC

QUESTION 30

Which UCS components firmware are contained in the UCS Infrastructure software bundle?

- A. UCS BIOS
- B. UCS Fabric Interconnects
- C. UCS Adapters
- D. UCS Manager
- E. IO Module
- F. Cisco IMC

Correct Answer: BDE

[642-999 Practice Test](#)

[642-999 Study Guide](#)

[642-999 Braindumps](#)



To Read the [Whole Q&As](#), please purchase the [Complete Version](#) from [Our website](#).

Try our product !

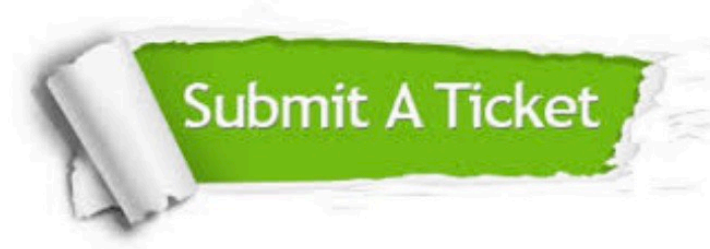
100% Guaranteed Success
100% Money Back Guarantee
365 Days Free Update
Instant Download After Purchase
24x7 Customer Support
Average 99.9% Success Rate
More than 800,000 Satisfied Customers Worldwide
Multi-Platform capabilities - [Windows](#), [Mac](#), [Android](#), [iPhone](#), [iPod](#), [iPad](#), [Kindle](#)

We provide exam PDF and VCE of Cisco, Microsoft, IBM, CompTIA, Oracle and other IT Certifications. You can view Vendor list of All Certification Exams offered:

<https://www.lead4pass.com/allproducts>

Need Help

Please provide as much detail as possible so we can best assist you.
To update a previously submitted ticket:



 <p>One Year Free Update Free update is available within One Year after your purchase. After One Year, you will get 50% discounts for updating. And we are proud to boast a 24/7 efficient Customer Support system via Email.</p>	 <p>Money Back Guarantee To ensure that you are spending on quality products, we provide 100% money back guarantee for 30 days from the date of purchase.</p>	 <p>Security & Privacy We respect customer privacy. We use McAfee's security service to provide you with utmost security for your personal information & peace of mind.</p>
---	---	--

Any charges made through this site will appear as Global Simulators Limited.
All trademarks are the property of their respective owners.
Copyright © lead4pass, All Rights Reserved.