

# 100% Money Back Guarantee

**Vendor:** EMC

**Exam Code:** E05-001

**Exam Name:** Information Storage and Management v3

**Version:** Demo

## DEMO

### QUESTION 1

Which product provides an integrated IT infrastructure solution for data center deployment by combining IT resources into a single package?

- A. VCE Vblock
- B. EMC VPLEX
- C. EMC ViPR
- D. VMware vCloud

**Correct Answer:** A

### QUESTION 2

What improves the performance of multi-threaded large block I/O workloads on a solid state drive?

- A. Parallel I/O channels
- B. I/O coalescing
- C. Native command queuing
- D. High capacity RAM cache

**Correct Answer:** A

### QUESTION 3

Which LUN expansion technique provides both capacity expansion and performance improvement?

- A. Striped metaLUN
- B. Partitioned metaLUN
- C. Virtual metaLUN
- D. Concatenated metaLUN

**Correct Answer:** A

### QUESTION 4

What is an accurate statement about the Network File System (NFS) protocol?

- A. Provides a set of remote procedure calls to access a remote file system
- B. Uses the server message block protocol to provide file locking capability
- C. Translates block I/O requests from a file system into object-level requests
- D. Automatically scales the file systems on clients as the workload increases

**Correct Answer:** A

### QUESTION 5

What is an advantage of a software-based object storage implementation?

- A. Provides the flexibility to reuse the existing infrastructure
- B. Requires less storage capacity to store a large number of objects
- C. Provides the flexibility to create more than one object ID for an object
- D. Requires less hardware to support scalable architecture

**Correct Answer:** A

### QUESTION 6

Which data structure enables two node ports to identify and manage a set of information units in a Fibre Channel (FC) SAN?

- A. Exchange

- B. Sequence
- C. Frame
- D. Domain

**Correct Answer: A**

**QUESTION 7**

What is a benefit of configuring EX\_Ports on each Fibre Channel over IP (FCIP) gateway in an FCIP tunnel implementation?

- A. Enables FC-FC routing through the FCIP tunnel without merging the fabrics
- B. Merges the fabrics at either end of the FCIP tunnel to create a single large fabric
- C. Transfers VSAN tagged traffic over the FCIP tunnel without FC protocol overhead
- D. Creates eight virtual FC links on the FCIP tunnel that can be paused and restarted independently

**Correct Answer: A**

**QUESTION 8**

A system has three components and all three components need to be operational for 24 hours; Monday through Friday. During a particular week, failure of component 3 occurred as follows:

Tuesday = 8 AM to 1 PM

▪

Thursday = 5 PM to 10 PM

▪

Friday = 5 AM to 10 AM

▪

What is the mean time between failures on component 3 for that week?

- A. 5 hours
- B. 35 hours
- C. 40 hours
- D. 51 hours

**Correct Answer: B**

**QUESTION 9**

What is a benefit of a "recovery-in-place" backup approach in a virtualized data center?

- A. Provides instant recovery of a failed virtual machine
- B. Reduces the recovery point objective
- C. Eliminates redundant data during virtual machine backups
- D. Eliminates the backup window

**Correct Answer: A**

**QUESTION 10**

An organization plans to deploy a deduplication solution by retaining their legacy backup application. They are concerned about the application servers' performance and a long backup window during backups.

Which deduplication solution(s) should be recommended to the organization?

- A. Post-process
- B. Source-based global deduplication

- C. Variable-length segment and source-based
- D. Fixed-length block and source-based

**Correct Answer:** A

**QUESTION 11**

In continuous data protection (CDP) remote replication, where are the two split write I/Os of an incoming write I/O directed?

- A. One I/O goes to the local CDP appliance and the other I/O goes to the production volume
- B. One I/O goes to the compute system and the other I/O goes to the production volume
- C. One I/O goes to the remote CDP appliance and the other I/O goes to the replica
- D. One I/O goes to the journal volume and the other I/O goes to the replica

**Correct Answer:** A

**QUESTION 12**

In an FC SAN environment, which security mechanism prevents a switch port from being enabled even after a switch reboot?

- A. Port locking
- B. Port type locking
- C. Port binding
- D. Fabric binding

**Correct Answer:** A

**QUESTION 13**

What is an example of an availability management task in storage infrastructure management?

- A. Designing a new replication solution for data redundancy
- B. Performing trend analysis of storage space consumption
- C. Tracking configuration changes to storage components
- D. Specifying storage space quotas for users

**Correct Answer:** A

**QUESTION 14**

A customer has a requirement to perform a backup each night. However, the customer has a limited amount of time for backups to run on week nights, Monday through Friday evenings.

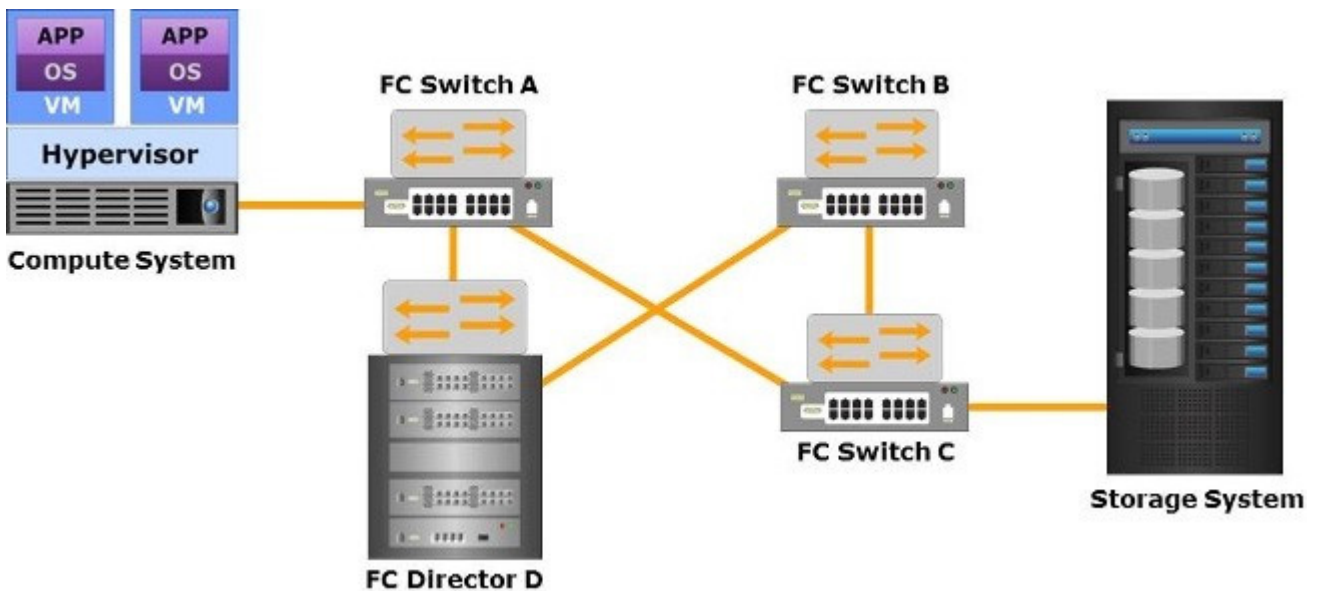
Which backup granularity type is recommended to meet the backup window for those nights?

- A. Incremental
- B. Cumulative
- C. Full
- D. Differential

**Correct Answer:** C

**QUESTION 15**

Which type of fabric topology does the exhibit represent?



- A. Partial mesh
- B. Full mesh
- C. Single core-edge
- D. Dual core-edge

**Correct Answer: A**

**QUESTION 16**

Which VMware product provides a network virtualization platform for a software-defined data center?

- A. NSX
- B. ESXi
- C. Horizon
- D. AirWatch

**Correct Answer: A**

**QUESTION 17**

What is a benefit of block-level storage virtualization?

- A. Enables the online expansion of virtual volumes
- B. Enhances performance by limiting the RSCN traffic
- C. Improves security through logical segmentation of block storage devices
- D. Increases scalability through separation of FC addresses across VSANs

**Correct Answer: A**

**QUESTION 18**

What is an accurate statement about three-way NDMP backup in a NAS environment?

- A. Backup device can be shared among multiple NAS heads
- B. Each NAS head should have a dedicated backup device
- C. Backup data traverses at least three NAS heads before reaching the backup device
- D. Backup is performed only when three or more NAS heads are present

**Correct Answer: A**

**QUESTION 19**

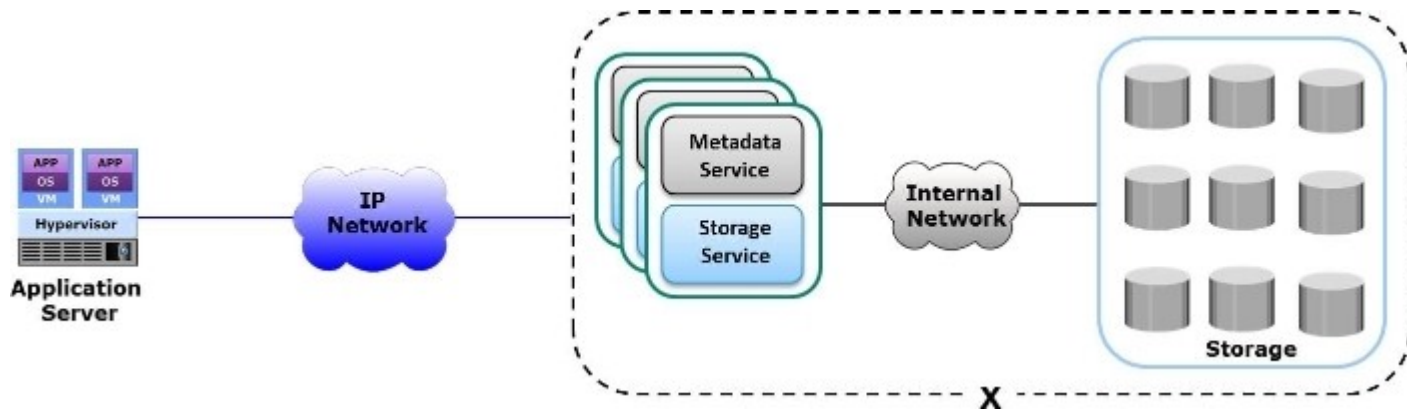
How do VSANs ensure security in an IT infrastructure?

- A. By providing isolation over a shared infrastructure
- B. By authenticating a new switch that joins a fabric
- C. By limiting the number of switches in a fabric
- D. By prohibiting an unused switch port from being used

**Correct Answer: A**

**QUESTION 20**

Which type of storage device does the "X" represent in the exhibit?



- A. Object-based
- B. Block-based
- C. File-based
- D. Unified-based

**Correct Answer: A**

To Read the [Whole Q&As](#), please purchase the [Complete Version](#) from [Our website](#).

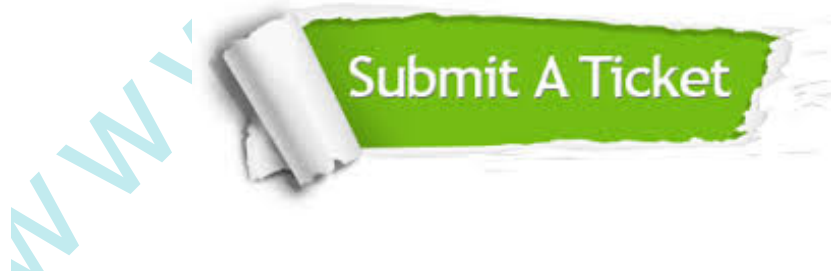
# Trying our product !


- ★ **100%** Guaranteed Success
- ★ **100%** Money Back Guarantee
- ★ **365 Days** Free Update
- ★ **Instant Download** After Purchase
- ★ **24x7** Customer Support
- ★ Average **99.9%** Success Rate
- ★ More than **69,000** Satisfied Customers Worldwide
- ★ Multi-Platform capabilities - **Windows, Mac, Android, iPhone, iPod, iPad, Kindle**

## Need Help

Please provide as much detail as possible so we can best assist you.

To update a previously submitted ticket:



 <b>One Year Free Update</b> <p>Free update is available within One Year after your purchase. After One Year, you will get 50% discounts for updating. And we are proud to boast a 24/7 efficient Customer Support system via Email.</p>	 <b>Money Back Guarantee</b> <p>To ensure that you are spending on quality products, we provide 100% money back guarantee for 30 days from the date of purchase.</p>	 <b>Security &amp; Privacy</b> <p>We respect customer privacy. We use McAfee's security service to provide you with utmost security for your personal information &amp; peace of mind.</p>
---	---	--

## Guarantee & Policy | Privacy & Policy | Terms & Conditions

Any charges made through this site will appear as Global Simulators Limited.

All trademarks are the property of their respective owners.